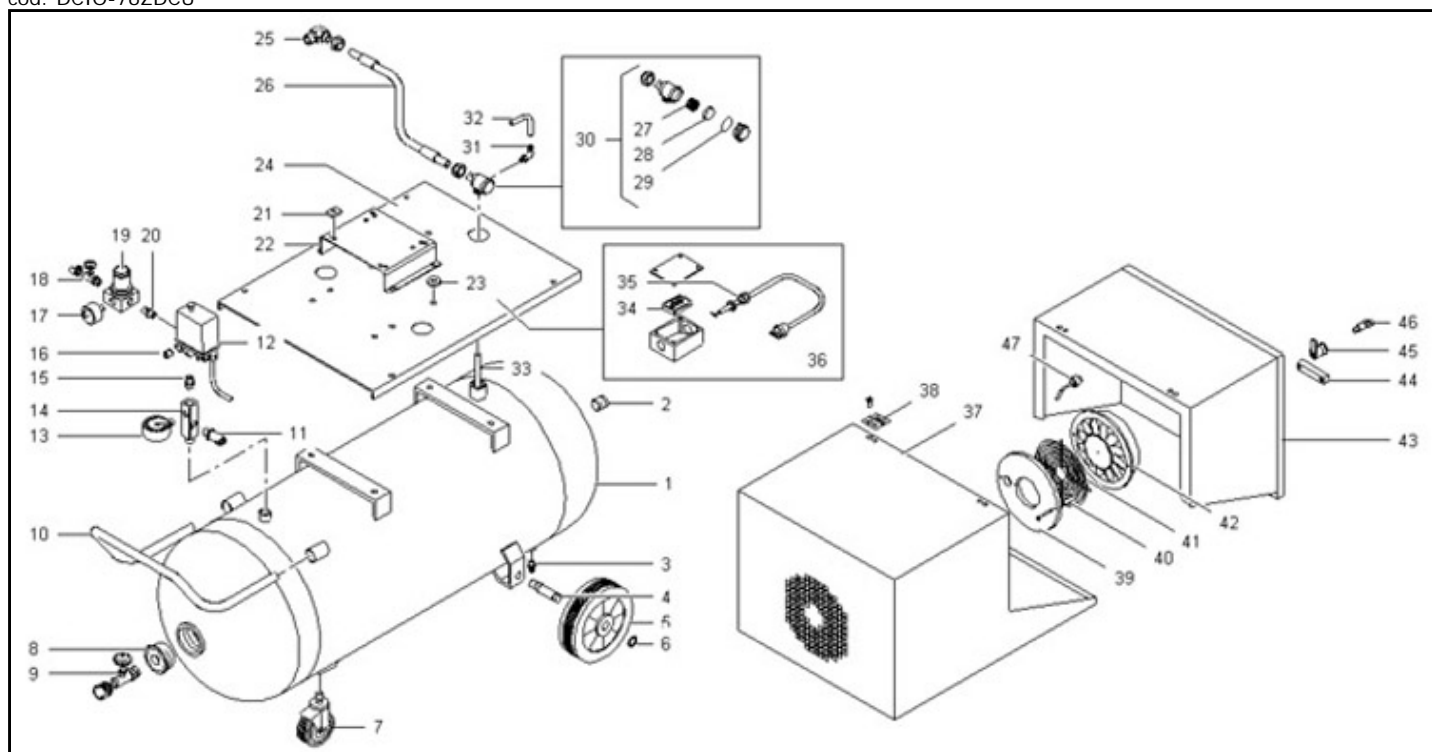




# PULSAR/S 320M (661QU1A605)

cod: DCIO-76ZDCU



cod: 001

Ref.	Code	Descr.	Quantity Advised	
1	172022000V	TANK L.100 L-VKM400/P D370/11 CE/V	1	-
2	111008000	PLUG R1/2 DRISEAL LOC 2040	1	-
3	122020000		1	2
4	199423000	WHEEL PIN 100/3 LT CM	2	-
5	020002000	WHEEL 175X45 S	2	4
6	015005000	SEEGER E20 UNI7435	2	12
7	020003000	SWIVELING WHEEL	1	2
8	011050000	RED. FITTING G2X1/2 GF 241	2	-
9	322002000	MAINS TAP WITH MILLED NUT	1	-
10	199426000	HANDLE FOR 50-300 L. TANK	1	-
11	047210000	SAFETY VALVE 3/8 4001/2 T11 PED	1	-
12	321028000	PRESSURE SWITCH 4115/2 NEMA/P 4 VIE 1/4C	1	1
13	330031000	PRESSURE GAUGE 63-20/11 BAR-PSI ATT.R.GC	1	4
14	170GZ3003	SUPPORT FOR ACCESSORIES MK255/50 TRI AGR	1	-
15	011080000	NIPPLE GC1/4X3/8	1	-
16	111001000	PLUG R1/4 DRISEAL 506	1	-
17	330006000	PRESSURE GAUGE 40-12 BAR-PSI BACK COUP	1	4
18	322008000	PRESSURE REDUCER COUPLING G1/4X3/8 +NUT	1	-
19	319042000	PRESSURE REDUCER G1/4 MW FR-BIT 1/4	1	1
20	011017000	NIPPLE GC1/4X1/4 BRASS	1	-
21	199377000	VIBRATION-DAMPING ELEMENT FOR MK25	4	8
22	161DA0007V	SUPPORTING PLATE OGR.P400/S	1	-
23	169GQ0025	VIBRATION DAMPER MK150-24F OILL.	4	8
24	261DH0002V	BASE PLATE P/S 300	1	-
25	011098000	L-SHAPED END COUPLING G1/2X15	1	-
26	199140532	AIR TUBE P 300/S	1	1
27	047152002	TAPERED SPRING	1	-
28	047152001	SEAL ELEMENT	1	8
29	047152003	CHECK VALVE SEAL 1/2 FQL D27X24,3X1	1	-
30	347088000	CHECK VALVE MF500-KSC COMPACT	1	1
31	011055000	L-SHAPED END COUPLING G1/8X6	1	-

32	199536000	AIR BLEED PIPE WITH OLIVES	1	-
33	161DA0006	TUBE SILENZIAMENTO P255/S L50	1	1
34	028001000	TERMINAL BOARD 50/32 FQ	1	-
35	102GY0400	POWER CABLE 3x2,5 SCHUKO	1	-
36	405255000	CONTROL UNIT VKM300/S 400/50	1	1
37	261DH0004V	HOUSING MAIN FRAME P/S 300	1	-
38	020127000	HINGE 1056-U4 EMKA	2	-
39	261DH0005V	OUTLET BAFFLE FL10-11762-39	1	-
40	161CU0003	FEEDING CABLE 4X1,5 PULSAR 400 TRI	2	-
41	161CQ0025	GRILLE PROTEZ.VENTOLA ART.150/S	1	-
42	024028000	FAN PULSAR 150-255 23050	1	-
43	261DH0003V	FRONT DOOR P/S 300	1	-
44	020182000	HANDLE	1	-
45	020153000	KEYLOCK 1022-U2 EMKA	1	-
46	020156000	WRENCH 1004-20 EMKA	1	-
47	008171000	THERMOSTAT KS 310.40.05 10A	1	-