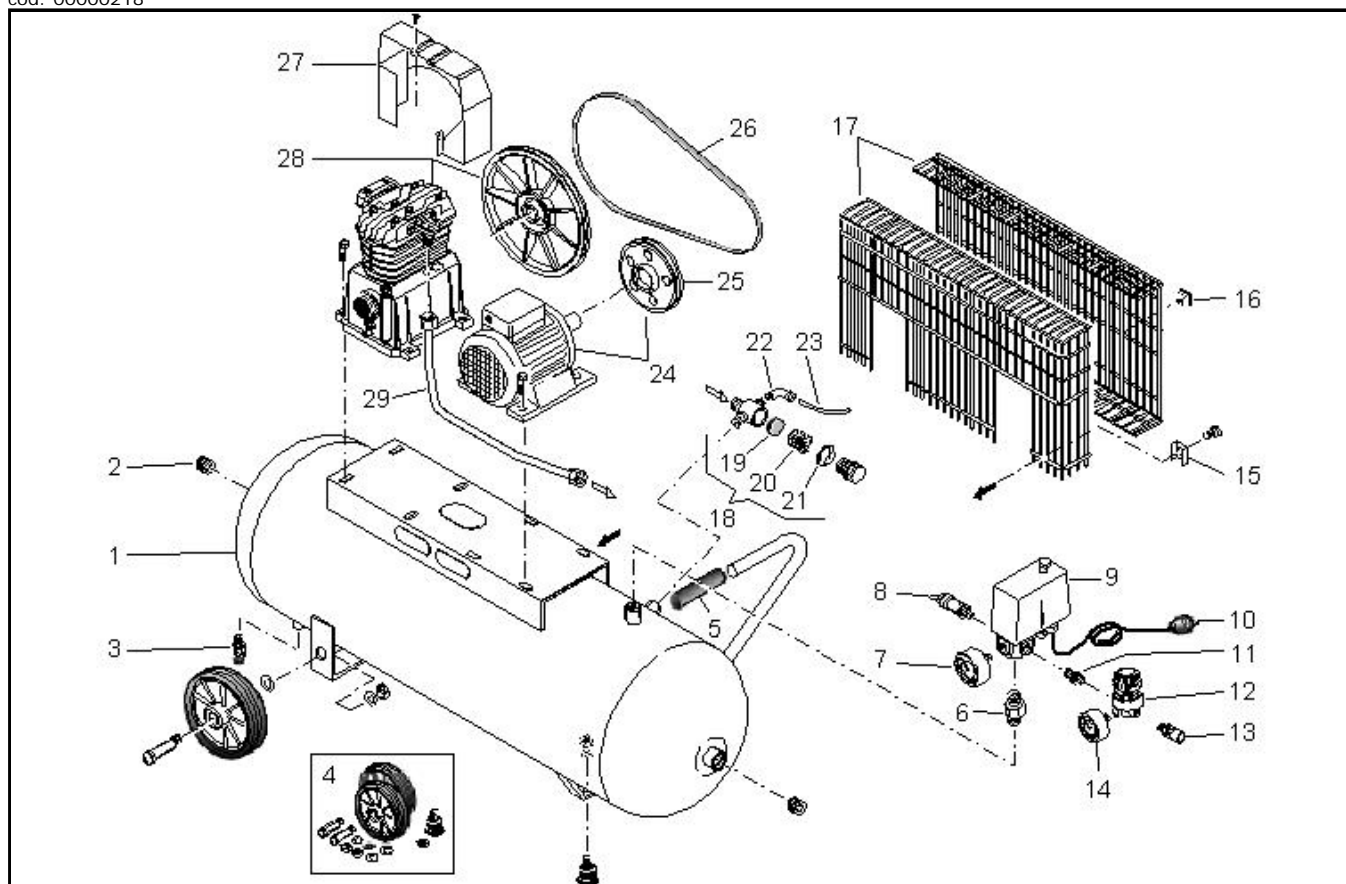




PARTNER 50/102 3M ECO (870TI6P604)

cod: 0000218



cod: 001

Ref.	Code	Descr.	Quantity Advised	
1	170040000V	TANK L50 B440/N D300/11 CE	1	-
2	011008000	STEEL CAP GC1/2	2	-
3	022020000	CONDENSATE DRAIN COCK	1	2
4	472DB0010	WHEELS MOUNTING KIT PARTNER 100	1	2
5	020121000	KNOB MOD.1024 D23	1	-
6	199110140	NIPPLE	1	-
7	330007000	PRESSURE GAUGE 50-16/10 BAR-PSI REAR	1	4
8	047207000	SAFETY VALVE G1/4 T11 PED	1	-
9	321087000	PRESSURE SWITCH 4 VIE 1/4	1	1
10	164A04400	POWER CABLE 3X1,5 SCHUKO H05 RRF DIR.CE	1	-
11	011017000	NIPPLE GC1/4X1/4 BRASS	1	-
12	319216000	PRESSURE REDUCER 1/4 S/RUB.	1	-
13	322107000		1	4
14	330006000	PRESSURE GAUGE 40-12 BAR-PSI BACK COUP	1	-
15	014005007	SQUARE WASHER - HOLE 7	4	-
16	020025000	PLASTIC DOWEL FOR GUARD-BELT	4	-
17	199688000	BELT-GUARD FULL PROTECTION	1	-
18	347062000	NON RETURN VALVE	1	1
19	047152001	SEAL ELEMENT	1	8
20	047152002	TAPERED SPRING	1	-
21	047152003	CHECK VALVE SEAL 1/2 FQL D27X24,3X1	1	-
22	011055000	L-SHAPED END COUPLING G1/8X6	1	-
23	046001000	RILSAN HOSE	1	2
24	540E097604	ELECTRIC MOTOR VE80 CV3M 230/50 S3 125A1	1	-
25	140212004	PULLEY 125-A-19	1	-
26	045002000	V-BELT A42	1	6
27	113150002	CONVEYOR	1	-
28	5131690000	COMPRESSOR MK102	1	-
29	170TH0001	DELIVERY TUBE MK102	1	2