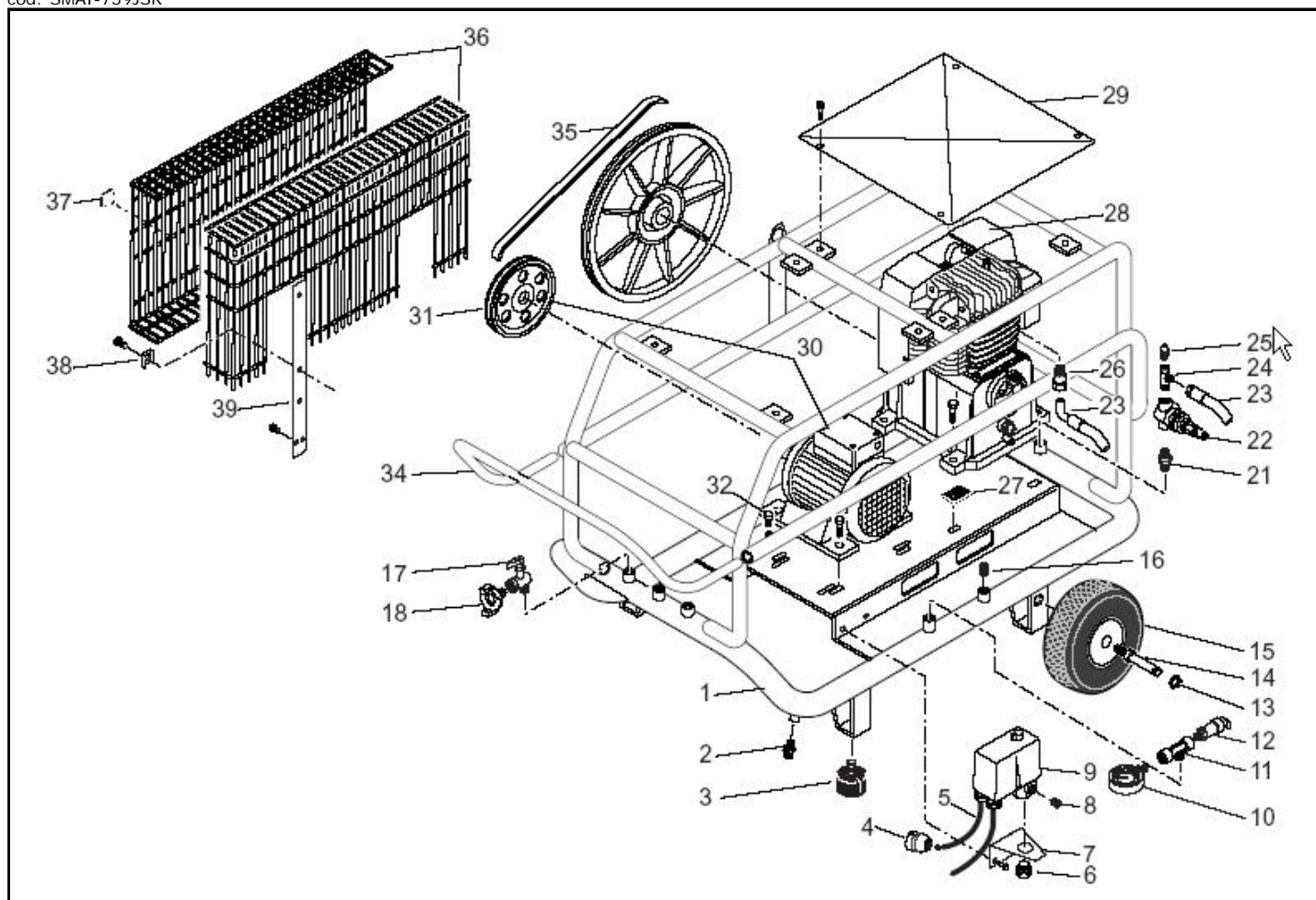


# Buildair BK119 5,5 (628IT9J722)

cod: SMAI-759JSR



cod: 001

Ref.	Code	Descr.	Quantity Advised	
1	128AX0010V	FRAME BUILDAIR	1	-
2	022020000	CONDENSATE DRAIN COCK	2	-
3	199343000	TANK VIBRATION-DAMPING SERB.LT50/3 45øSH	2	4
4	008259000	EEC PLUG 17 32A-6H (3+T+N) 380V	1	-
5	128001002	POWER CABLE V400 50	1	-
6	011312000	PLUG T.M.3/8	1	-
7	181BM0011	BRACKET FOR P-SWITCH W/OVLD BK19-270V	1	-
8	111001000	PLUG R1/4 DRISEAL 506	3	-
9	305144000	PRESSURE SWITCH	1	1
10	330023000	PRESSURE GAUGE 50 16/10 BAR-PSI ATT.RG1/	1	4
11	011309000	UNION TEE FMF 1/4 ART.207/1 COMARIA	1	-
12	047002000	SAFETY VALVE G1/4 T16,5	1	-
13	015005000	SEEGER E20 UNI7435	2	12
14	199120830	WHEEL SPINDLE L100 SCOPPIO D20X105	2	4
15	020116000	WHEEL 260X85	2	4
16	011008000	STEEL CAP GC1/2	1	-
17	322048000	LINE COCK L MF1/2	3	-
18	022025000	AIR COUPLING G1/2	3	-
21	011040000	NIPPLE G1/2 GF280	1	-
22	047010000	IDLE-RUNNING VALVE FS-C	1	1
23	199120530	FLEXIBLE HOSE BP70/8-440+RACCORDI	1	2
24	199567000	MK8 AUTOMATIC BLEED VALVE COUPLING	1	-
25	022079000	CONDENSATE DRAIN COCK G1/4	1	-
26	011114000	STRAIGHT FITTING G1/2X15	1	-
27	128AX0005	VIBRATION DAMPER BUILDAIR	4	8
28	5131790000	COMPRESSOR BK119	1	-

29	128AX0004	PROTECTION PLATE SUPERIORE	2	-
30	540G003618	ELECTRIC MOTOR VEM100 5,5HP 3-PHASE	1	-
31	140179004	PULLEY 130-SPZ-28	1	-
32	014040002	KNOB B.193/25 p-M M8X16	2	-
34	128AX0009	HANDLE SERB.BUILD.	1	-
35	045105000	V BELT SPZ 1587	1	6
36	128AX0001	BELT GUARD SERB.BUILD.	1	-
37	020025000	PLASTIC DOWEL FOR GUARD-BELT	6	-
38	014005007	SQUARE WASHER - HOLE 7	6	-
39	128AX0002	SIDE BELT GUARD SUPPORT INF. BUILD.	3	-