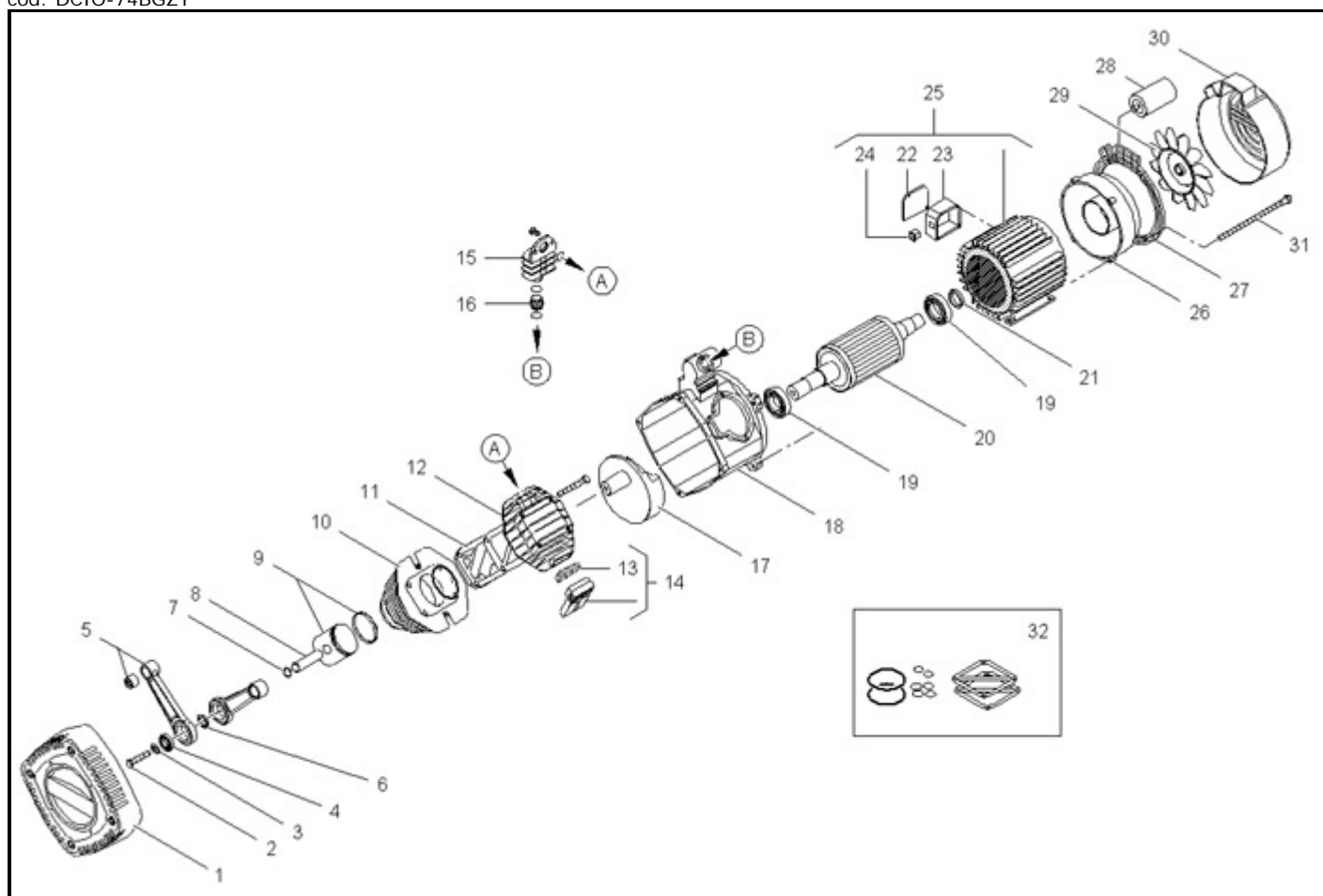




# VKM320-3M (516QU01605)

cod: DCIO-74BGZY



cod: 001

Ref.	Code	Descr.	Quantity Advised	
1	116200008	CASING COWLING VKM300 OILLESS	1	-
2	014001051	SCREW LEFT HAND M8X18	1	-
3	014005010	WASHER 8,5X24X3	1	-
4	033059000	BEARING 6203-DDU-CE-ENSS	2	-
5	416GQ0020	ASSEMBLY CONNECTING ROD- BEARING	2	2
6	116200005	SPACER 17X22X1 VKM300 OILL.	1	-
7	015010000	SEEGER 15 D.65	4	4
8	116004014	K150 OILLESS GUDGEON PIN 15X43 D55	2	2
9	116004012	MK150 OILLESS AL. PISTON D55 + PIST	2	-
10	116QT0003		2	-
11	413175002	VALVE HOLDER PLATE .SKM12	2	-
12	116091003	HEAD - MK255	2	-
13	116091018	FILTER CARTRIDGE - MK255	1	20
14	317051000	INTAKE FILTER MK282 COMPL.	2	4
15	116200010	FINAL MANIFOLD VKM300	2	-
16	116QU0003		2	-
17	116QU0002		1	-
18	116200002	CASING VKM300 OILLES	1	-
19	033018000	BEARING 6205-2RS	2	-
20	416200000	ARMATURE VKM300-2,5M 23050 OILLESS	1	-
21	027003000	BALANCING RING K2 51X42X0,5	1	-
22	116003005	PLASTIC TERMINAL BOARD BASE COVER H90-	1	-
23	116003004	PLASTIC TERMINAL BOARD BASE H90-100	1	-

24	008017000	OVERLOAD SWITCH 12A SEV-CSA	1	1
25	416200605	WOUND CASING VKM300-2,5M 24050 OILLESS	1	1
26	116055014	CAP H90	1	-
27	116055009	HOUSING SUPPORT EQUIPPED WITH BUSH	1	-
28	009200016	CAPACITOR 450/50 IP55 + CABLE 35CM C12/	1	1
29	116QU0001		1	-
30	116003003	AIR CONVEYOR - MK235	1	-
31	116025016	SCREW M6X205	4	-
32	216HI0001	GASTEK SET VKM300 / S	1	6