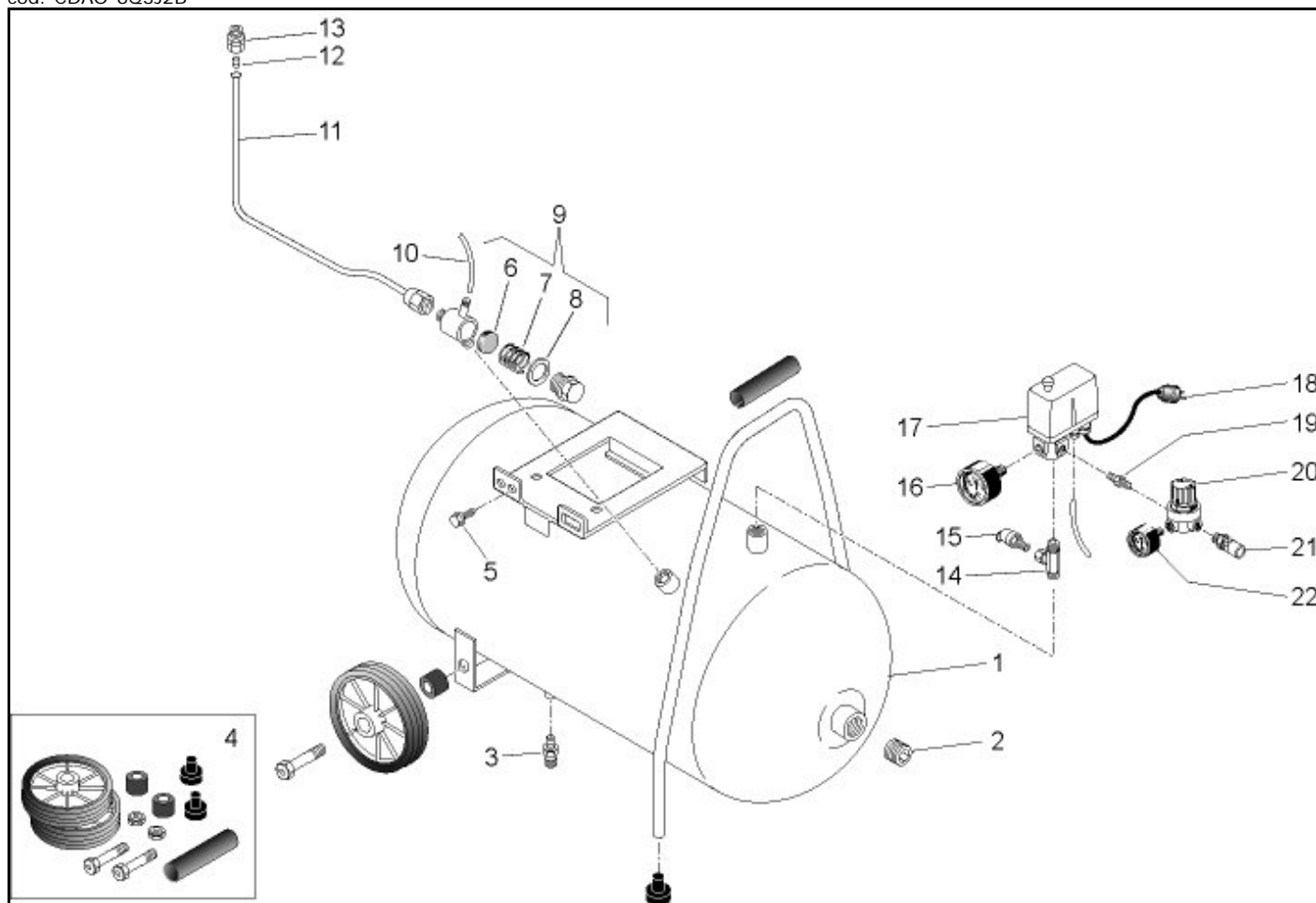


TIGER 265 (617CN1A605)

cod: CDAO-6Q3J2B



cod: 001

Ref.	Code	Descr.	Quantity Advised	
1	168CM0010V	TANK L24 MK215-285 10B/V	1	-
2	111008000	PLUG R1/2 DRISEAL LOC 2040	1	-
3	022020000	CONDENSATE DRAIN COCK	1	2
4	417CM0001	ASSEMBLY SET WHEEL/HAND GRIP TIGER 215-2	1	2
5	014013042	SCREW M5X15	2	-
6	047113001	SEAL FOR NON-RETURN VALVE G1/2X3/8	1	8
7	047113002	TAPERED SPRING FOR NON-RETURN VALVE G1/2	1	-
8	010041000	O RING 2075 VITON	1	-
9	347092000	CHECK VALVE 3/8X3/8MM	1	1
10	046001000	RILSAN HOSE	0,4	2
11	168CM0001	DELIVERY TUBE MK265 L24-100	1	2
12	161535012	NOSE CONE 10/8	1	-
13	116HP0011	LOCK NUT OL185	1	-
14	011000137		1	-
15	047206000	SAFETY VALVE .G1/4 T10 PED	1	-
16	330007000	PRESSURE GAUGE 50-16/10 BAR-PSI REAR	1	4
17	321028000	PRESSURE SWITCH 4115/2 NEMA/P 4 VIE 1/4C	1	1
18	164A04400	POWER CABLE 3X1,5 SCHUKO H05 RRF DIR.CE	1	-
19	011017000	NIPPLE GC1/4X1/4 BRASS	1	-
20	319117000		1	1
21	322053000	SNAP COCK CPL.G1/4M UNIVERSAL	1	-
22	330006000	PRESSURE GAUGE 40-12 BAR-PSI BACK COUP	1	4