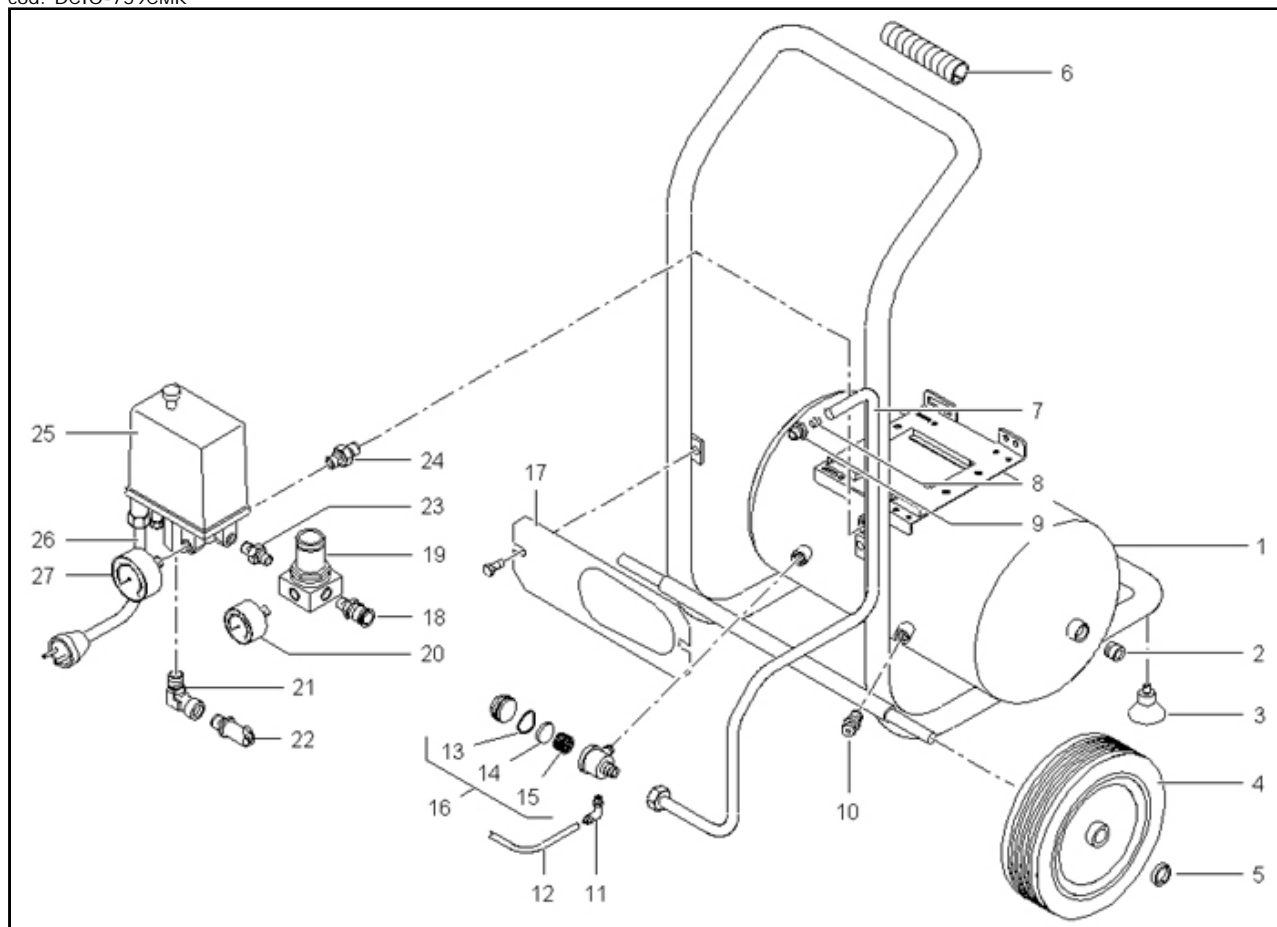




PIONEER 215M (601CM1A605)

cod: DCIO-759CMK



cod: 002

Ref.	Code	Descr.	Quantity Advised	
1	164CM0001V	TANK L10 PION.MK215/V.	1	-
2	111008000	PLUG R1/2 DRISEAL LOC 2040	2	-
3	116011006	ANTIVIBRATING ELEMENT JUMBO 50SH	2	4
4	020006000	WHEEL 100	2	4
5	015018000	BENZING RING D.7	2	4
6	116022015	HAND GRIP - PIONEER	1	-
7	164CM0002	DELIVERY TUBE MK215 PIONEER (ALL)	1	2
8	161535012	NOSE CONE 10/8	1	-
9	116HP0011	LOCK NUT OL185	1	-
10	122020000		1	-
11	011055000	L-SHAPED END COUPLING G1/8X6	1	-
12	046001000	RILSAN HOSE	0,25	2
13	F99357000	OR 2068 NBR 70°SH	1	-
14	047129002		1	-
15	047113002	TAPERED SPRING FOR NON-RETURN VALVE G1/2	1	8
16	347092000	CHECK VALVE 3/8X3/8MM	1	1
17	101CM0001V	PROTECTION PLATE PIONEER215-265	1	-
18	322030000	QUICK TAP G1/4M ART. 22GAV	1	-
19	319057000	PRESSURE REDUCER MW MR BIT 1/4 012	1	1
20	330006000	PRESSURE GAUGE 40-12 BAR-PSI BACK COUP	1	4
21	011002000	SHAPED COUPLING L MF G1/4	1	-
22	047206000	SAFETY VALVE .G1/4 T10 PED	1	-
23	011017000	NIPPLE GC1/4X1/4 BRASS	1	-
24	011080000	NIPPLE GC1/4X3/8	1	-
25	321028000	PRESSURE SWITCH 4115/2 NEMA/P 4 VIE 1/4C	1	1
26	164A04600	CABLE 3X1 SCHUKO H05 RRF CE	1	-
27	330007000	PRESSURE GAUGE 50-16/10 BAR-PSI REAR	1	4