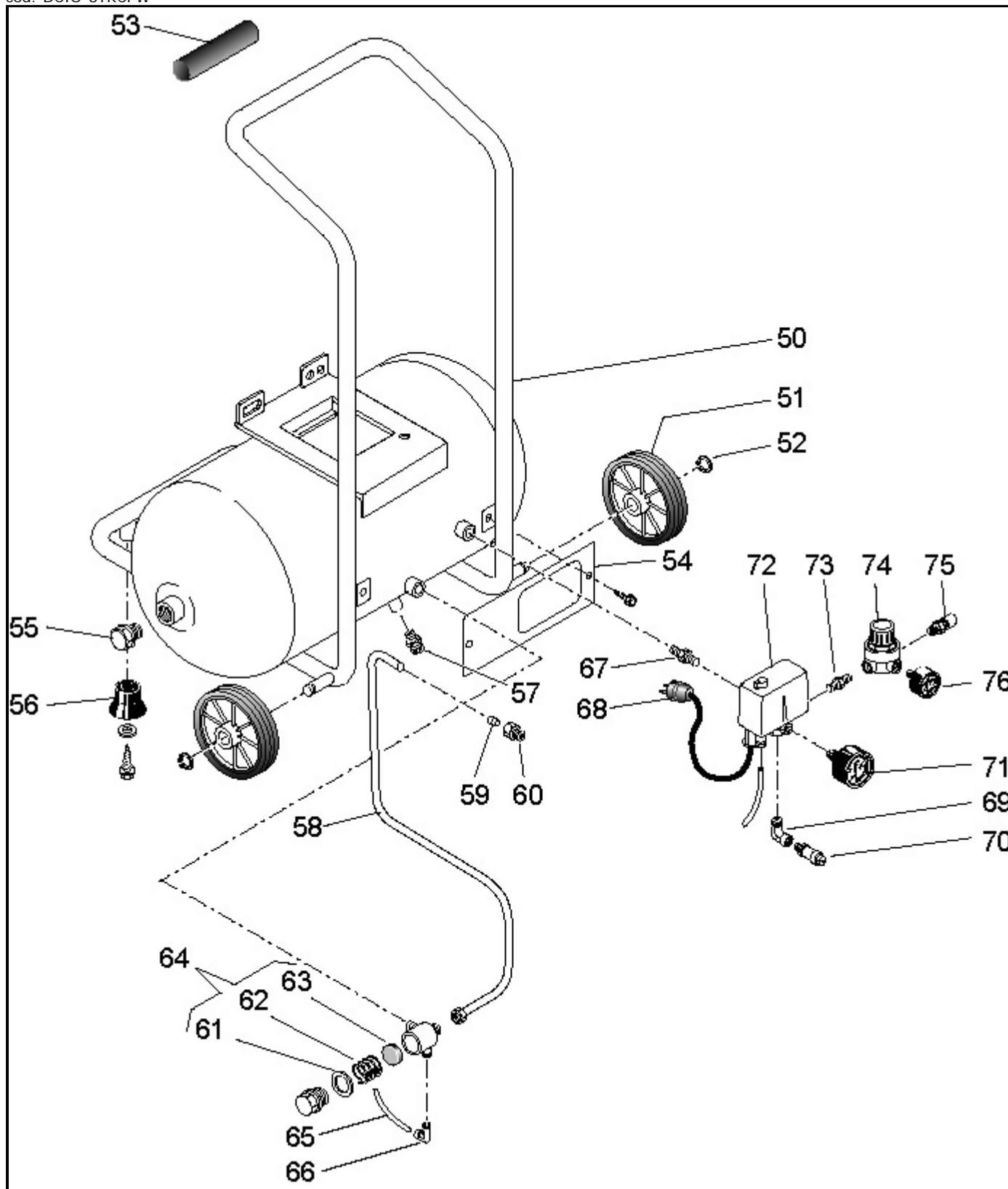


 print |  close

PIONEER 215M (601CM1A605)

cod: DCIO-6YKCPW



cod: 001

Ref.	Code	Descr.	Quantity Advised	
50	164CM0001V	TANK L10 PION.MK215/V.	1	-
51	020006000	WHEEL 100	2	4
52	015018000	BENZING RING D.7	2	8

53	116022015	HAND GRIP - PIONEER	1	-
54	101CM0001V	PROTECTION PLATE PIONEER215-265	1	-
55	111008000	PLUG R1/2 DRISEAL LOC 2040	2	-
56	116011006	ANTIVIBRATING ELEMENT JUMBO 50SH	2	4
57	122020000		1	-
58	164CM0002	DELIVERY TUBE MK215 PIONEER (ALL)	1	2
59	161535012	NOSE CONE 10/8	1	-
60	116HP0011	LOCK NUT OL185	1	-
61	010041000	O RING 2075 VITON	1	-
62	047113002	TAPERED SPRING FOR NON-RETURN VALVE G1/2	1	-
63	047113001	SEAL FOR NON-RETURN VALVE G1/2X3/8	1	8
64	347092000	CHECK VALVE 3/8X3/8MM	1	1
65	011055000	L-SHAPED END COUPLING G1/8X6	1	-
66	046001000	RILSAN HOSE	0,25	2
67	011080000	NIPPLE GC1/4X3/8	1	-
68	164A04600	CABLE 3X1 SCHUKO H05 RRF CE	1	-
69	011002000	SHAPED COUPLING L MF G1/4	1	-
70	047206000	SAFETY VALVE .G1/4 T10 PED	1	-
71	330007000	PRESSURE GAUGE 50-16/10 BAR-PSI REAR	1	4
72	321028000	PRESSURE SWITCH 4115/2 NEMA/P 4 VIE 1/4C	1	1
73	011017000	NIPPLE GC1/4X1/4 BRASS	1	-
74	319228000	PRESSURE REDUCER MICRO (PLANE)	1	-
75	322107000		1	-
76	330006000	PRESSURE GAUGE 40-12 BAR-PSI BACK COUP	1	4