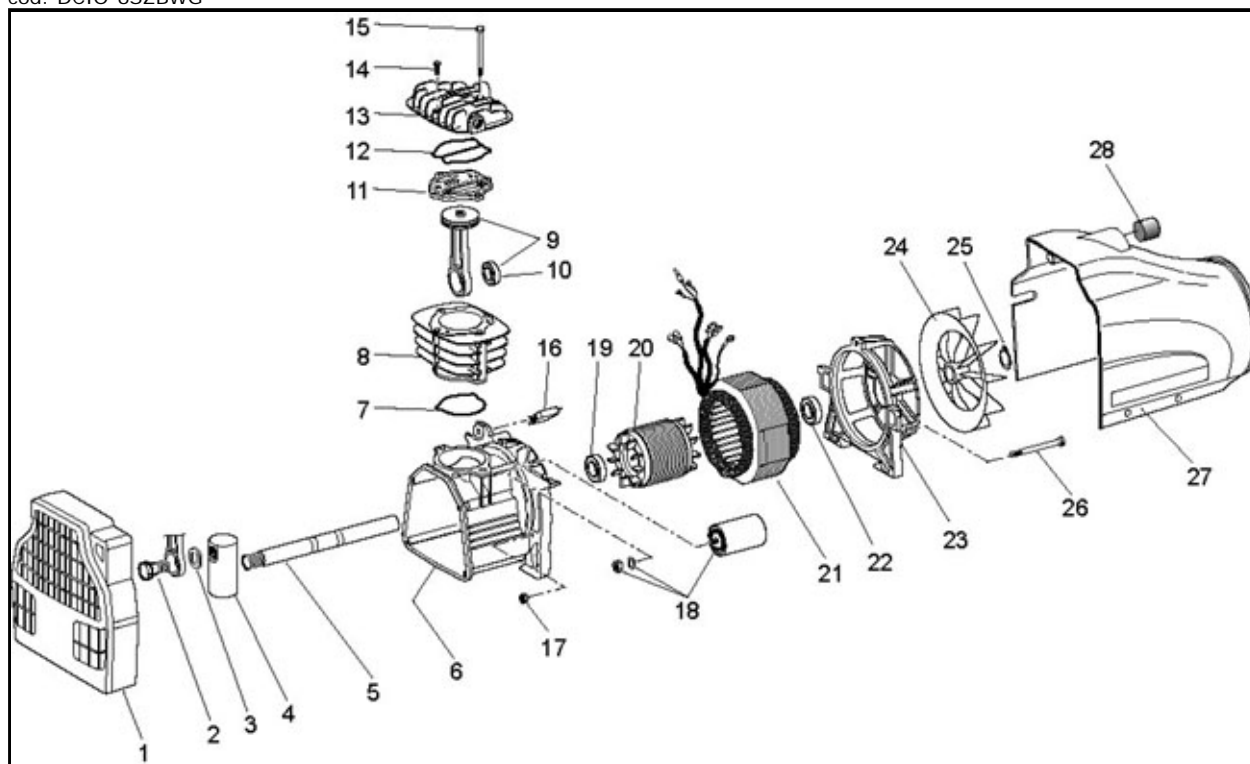


 [print](#) |  [close](#)

OL1850 (516H001604)

cod: DCIO-6SZBWG



cod: 001

Ref.	Code	Descr.	Quantity Advised	
1	116ZQ0002	HOUSING OL1850	1	1
2	116HP0005	PIN OL185	1	-
3	130203225	THEEZED WASHER 15,2X22X3	1	-
4	116ZQ0005	CRANK OL 1850	1	-
5	116ZQ0004	SHAFT OL 1850	1	-
6	116120006	CASING FD2000	1	-
7	116120013	CYLINDER SEAL FD2000	1	6
8	116ZQ0003	CYLINDER OL 1850	1	-
9	416HP0004	COMPLETE PISTON OL185	1	2
10	033055000	BEARING 6202-2RS	1	-
11	116120100	COMPLETE VALVE PLATE	1	2
12	116120014	HEAD SEAL FD2000	1	6
13	116120015	FD 2000 HEAD	1	-
14	014013031	SCREW M6X35	2	-
15	014001076		2	-
16	008277000	OVERLOAD SWITCH 5A OL185	1	2
17	161190010		3	-
18	009200004	CAPACITOR 400/25 C8/D SEV	1	2
19	033143000		1	-
20	034139000	ROTOR 65X40-28	1	-
21	316ZQ1604	WOUND STATOR OL1850 230-240/50HZ	1	1
22	033005000	BEARING 6203-2Z	1	-
23	116120007	COVER FD2000	1	-
24	116120008	FD2000 FAN	1	3
25	015083000	SEEGER TIPO G16X1,5	1	-
26	014002122	SCREW M5X80 UNI5737-8.8	3	-
27	116ZQ0001	HOUSING OL1850	1	1
28	116120017	FD2000 FILTER CARTRIDGE	1	10