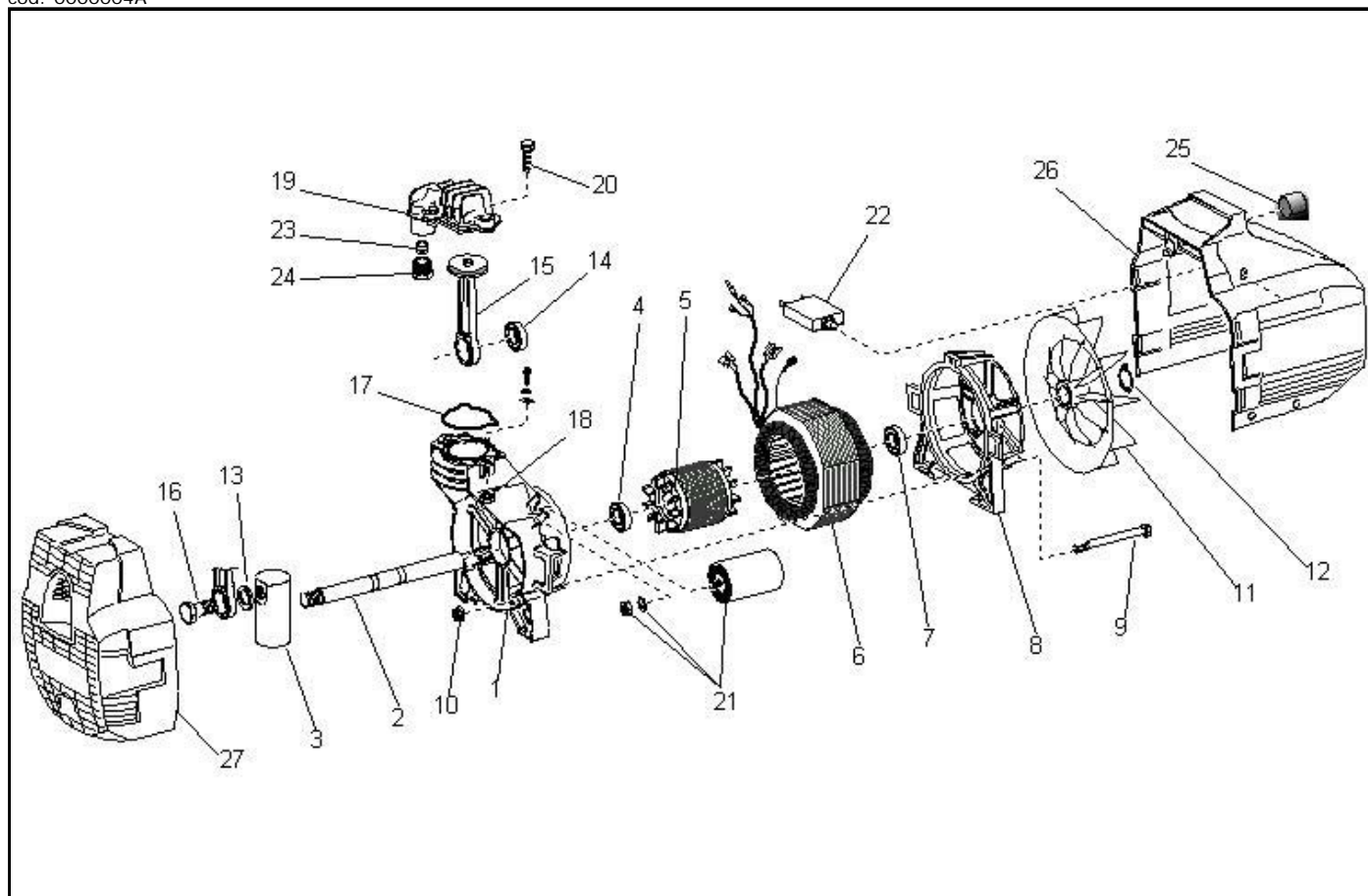


 print |  close

OL185-1,5M (516HP01605)

cod: 0000004A



cod: 001

| Ref. | Code | Descr. | Quantity Advised | |
|------|-----------|-----------------------------|------------------|----|
| 1 | 116HP0001 | CASING OL185 | 1 | - |
| 2 | 116HP0002 | DRIVING SHAFT OL185 | 1 | - |
| 3 | 116HP0003 | CRANK OL185 | 1 | - |
| 4 | 033047000 | BEARING 6203-2RS | 1 | - |
| 5 | 034139000 | ROTOR 65X40-28 | 1 | - |
| 6 | 316HP1604 | WOUND STATOR OL185 230 50 | 1 | 1 |
| 7 | 033005000 | BEARING 6203-2Z | 1 | - |
| 8 | 116120007 | COVER FD2000 | 1 | - |
| 9 | 014002124 | SCREW M5X95 UNI 5737 | 3 | - |
| 10 | 014003003 | HEXAG.NUT M5 UNI5587-5D | 3 | - |
| 11 | 116120008 | FD2000 FAN | 1 | 3 |
| 12 | 015083000 | SEGER TIPO G16X1,5 | 1 | - |
| 13 | 014005069 | WASHER .15,2X22X3 | 1 | - |
| 14 | 033055000 | BEARING 6202-2RS | 1 | - |
| 15 | 416HP0004 | COMPLETE PISTON OL185 | 1 | 2 |
| 16 | 116HP0005 | PIN OL185 | 1 | - |
| 17 | 116120013 | CYLINDER SEAL FD2000 | 1 | 3 |
| 18 | 014003001 | HEXAG.NUT M8 UNI5587-5D | 2 | - |
| 19 | 416HP0007 | ASSEMBLY HEAD OL185 | 1 | 2 |
| 20 | 014001056 | SCREW M8X30 | 2 | - |
| 21 | 009200004 | CAPACITOR 400/25 C8/D SEV | 1 | 2 |
| 22 | 008277000 | OVERLOAD SWITCH 5A OL185 | 1 | 2 |
| 23 | 011117000 | NOSE FOR AL.PIPE D10 (CH19) | 1 | 2 |
| 24 | 116HP0011 | LOCK NUT OL185 | 1 | 2 |
| 25 | 116120017 | FD2000 FILTER CARTRIDGE | 1 | 10 |
| 26 | 116HP0008 | CONVEYOR OL185 | 1 | 1 |
| 27 | 116HP0009 | CONVEYOR OL185 | 1 | 1 |