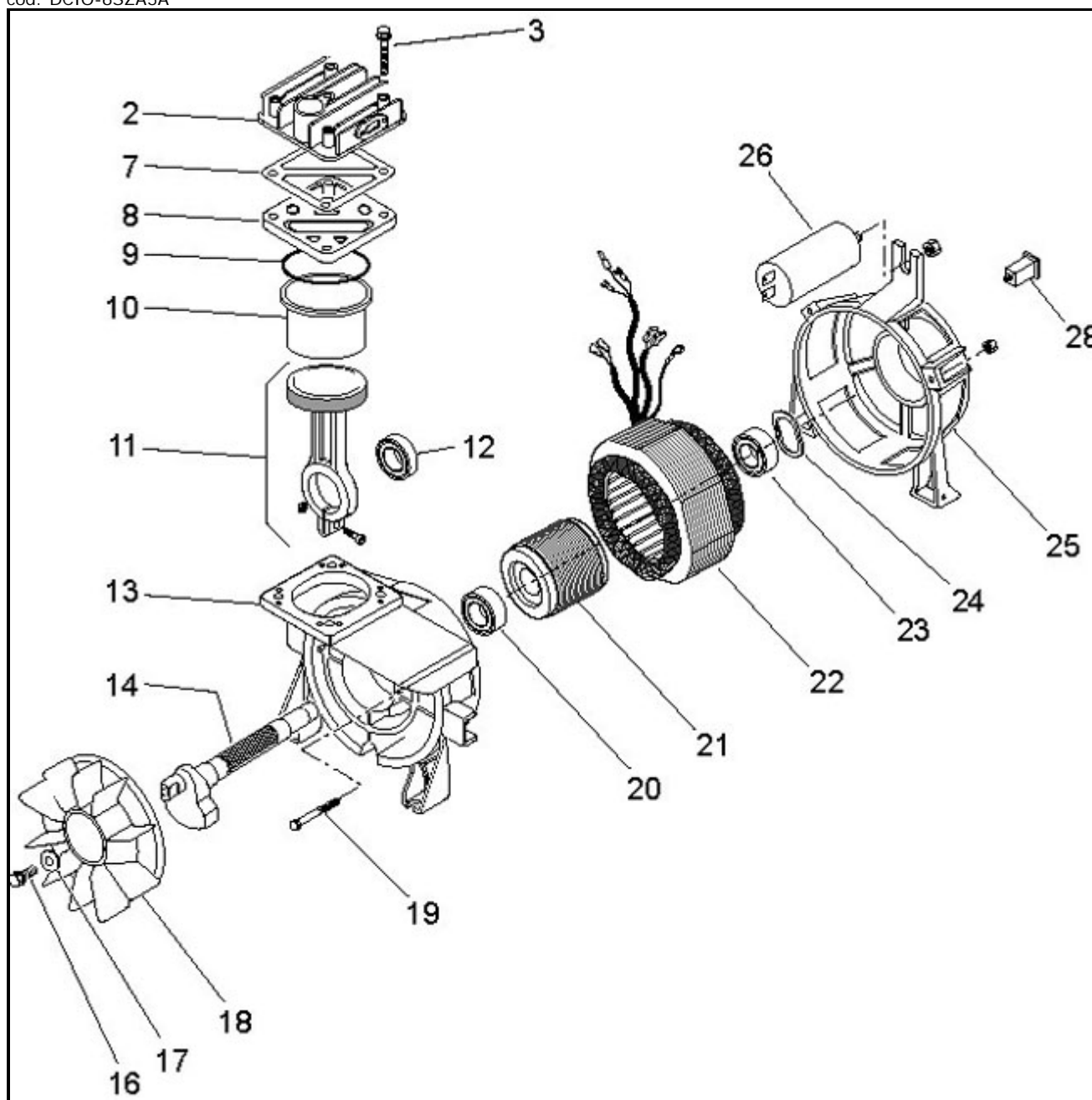


 print |  close

OL102-0,75M (Genius) (516HE14604)

cod: DCIO-6SZA5A



cod: 001

| Ref. | Code | Descr. | Quantity Advised | |
|------|-----------|----------------------------------|------------------|---|
| 2 | 116005031 | OL200 HEAD | 1 | - |
| 3 | 014013027 | SCREW M6X45 | 4 | - |
| 7 | 116005017 | HEAD GASKET OL200 | 1 | - |
| 8 | 416005009 | COMPLETE BASE PLATE OL 200 | 1 | 6 |
| 9 | 010057000 | O RING 4262 SILICONE | 1 | - |
| 10 | 016005007 | CYLINDER OL200 | 1 | - |
| 11 | 416005003 | PISTON-CON ROD OL102-202 50-60HZ | 1 | 2 |
| 12 | 033059000 | BEARING 6203-DDU-CE-ENSS | 1 | - |
| 13 | 016010025 | CRANKSHAFT OL202 | 1 | - |
| 14 | 116116001 | CRANKSHAFT OL102 | 1 | - |
| 16 | 014001022 | SCREW M6X16UNI5739-5D | 1 | - |
| 17 | 116010013 | WASHER 7X21 TRANC..OL202 | 1 | - |
| 18 | 116010004 | PLASTIC FAN FOR OL202 | 1 | 2 |

| | | | | |
|----|-----------|---------------------------------|---|---|
| 19 | 014002122 | SCREW M5X80 UNI5737-8.8 | 3 | - |
| 20 | 033028000 | BEARING 6204-2RS | 1 | - |
| 21 | 034124000 | ROTOR 80X55-30 CA SILUMIN | 1 | - |
| 22 | 316019604 | WOUND STATOR OL 105 22050 SEV | 1 | 1 |
| 23 | 033070000 | BEARING 6202-2Z | 1 | 1 |
| 24 | 027011000 | BALANCING RING K2 34,5X27,5X0,5 | 1 | - |
| 25 | 016010016 | COVER OL202 | 1 | - |
| 26 | 009200014 | CAPACITOR 450/20 C8/D SEV-VDE | 1 | 2 |
| 28 | 008032000 | OVERLOAD SWITCH 7A SEV-CSA | 1 | - |