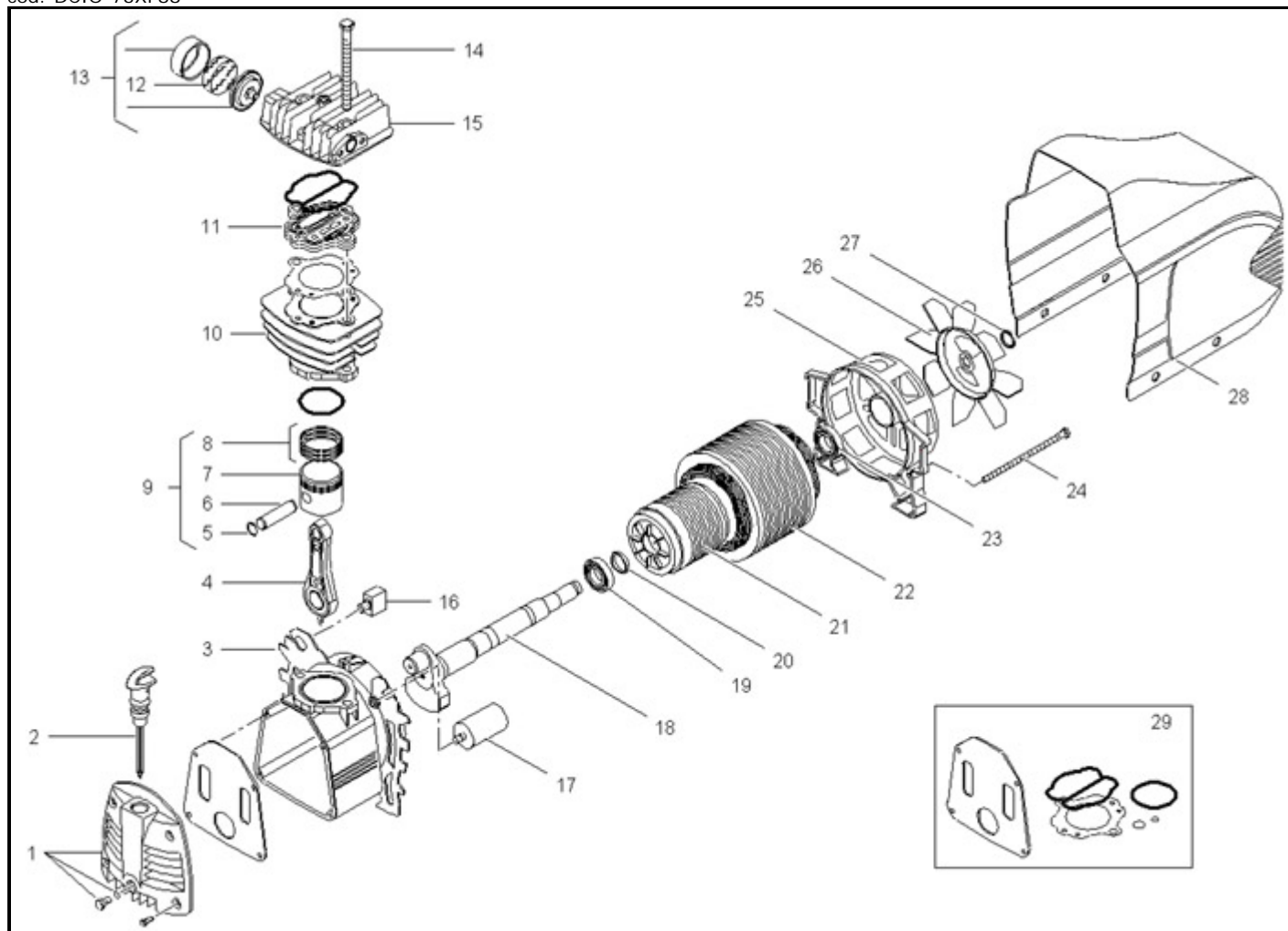


 [print](#) |  [close](#)

MK97/15-0,75M (516CO01605)

cod: DCIO-73XF88



cod: 001

Ref.	Code	Descr.	Quantity Advised	
1	116CN0025	COMPLETE CARTER COV ER MK265-285	1	-
2	012089000	OIL PLUG WITH DIPSTICK	1	2
3	116120006	CASING FD2000	1	-
4	116121005	FD 2500 CONNECTING ROD	1	2
5	015001000	SEEGER 12 D.50	2	-
6	113113003	AL- GUGDGEON PIN 12X33 D42	1	-
7	116011027	AL. PISTON 42 - MK85	1	-
8	216011003	SET OF PISTON RINGS - MK85	1	2
9	416011027	COMPLETE PISTON - MK85	1	4
10	116CO0001		1	-
11	416CN0003		1	4
12	017007000	FILTERING CARTRIDGE CM 210	1	12
13	317081000		1	4
14	014001075	SCREW M8X116 8.8	2	-
15	116CN0013	HEAD MK263 FIL.G3/8#	1	-
16	008409000		1	2
17	009200014	CAPACITOR 450/20 C8/D SEV-VDE	1	2
18	116CP0001		1	-
19	033082000	BEARING 6005 C3 EC	1	-
20	010132000	SEAL 2547/7	1	-
21	116022026	ROTOR 80X75-30 SA - SILUMIN	1	-

22	316CP1605	1	1
23	033005000 BEARING 6203-2Z	1	-
24	014002128 SCREW M5X120 FIL.22	3	-
25	116120007 COVER FD2000	1	-
26	116120008 FD2000 FAN	1	-
27	015083000 SEEGER TIPO G16X1,5	1	-
28	116CN0019 HOUSING MK215#	1	-
29	216CN0002 GASTEK SET MK265 11050	1	6