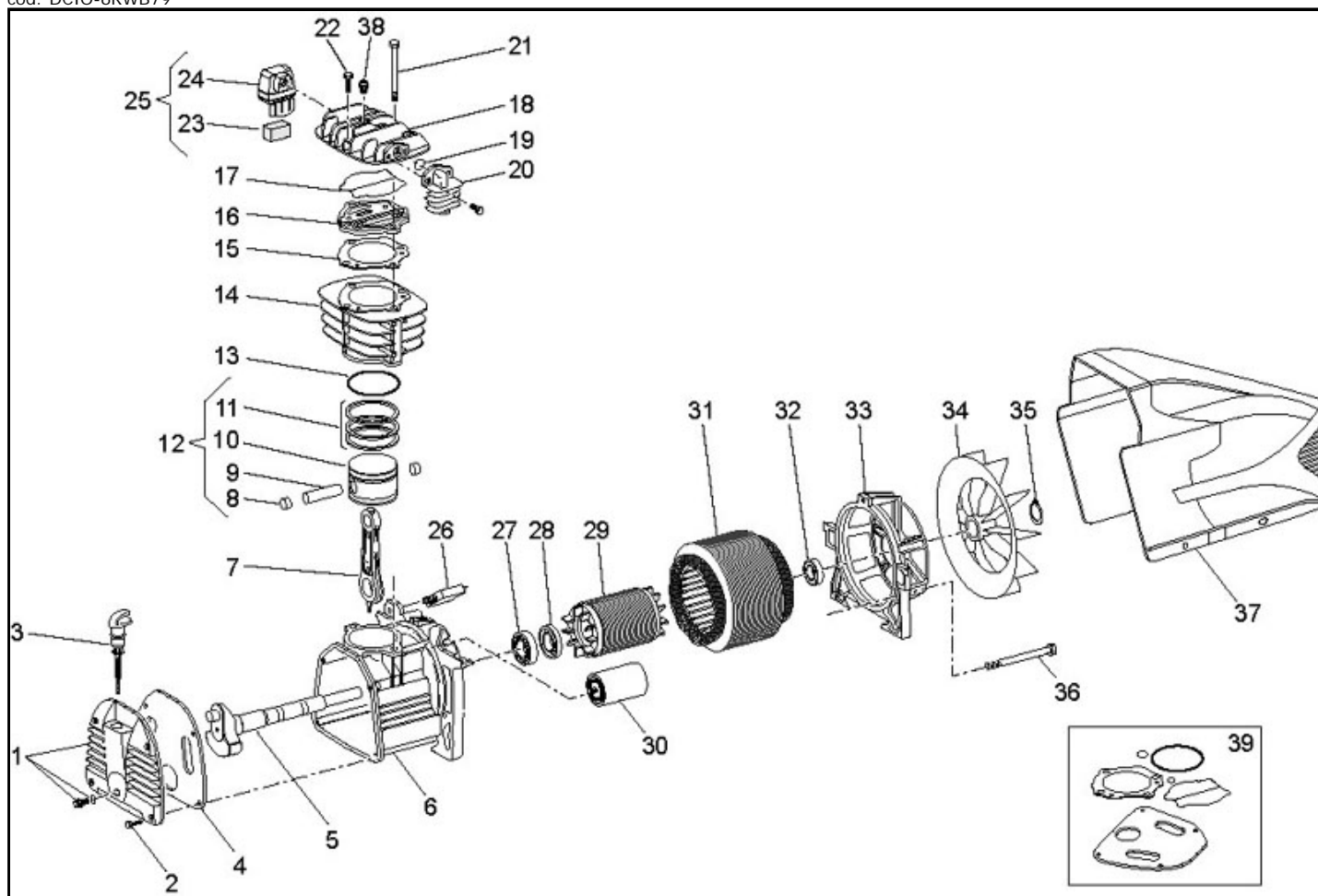


MK265-2M (516CN01605)

cod: DCIO-6RWB79



cod: 001

Ref.	Code	Descr.	Quantity Advised	
1	116CN0025	COMPLETE CARTER COVER MK265-285	1	-
2	130203179	SCREW 4,2x19 F/RO	4	-
3	012089000	OIL PLUG WITH DIPSTICK	1	2
4	116120016	COVER SEAL FD2000	1	-
5	116CN0017	CRANKSHAFT MK265	1	-
6	116120006	CASING FD2000	1	-
7	116121005	FD 2500 CONNECTING ROD	1	2
8	116120011	PLUG FD2000	2	-
9	113113003	AL- GUGDGEON PIN 12X33 D42	1	-
10	116022004	AL. PISTON 47 - MK105	1	-
11	216022002	SET OF PISTON RINGS	1	4
12	416HQ0011		1	2
13	161280020	OR 3212 NBR	1	-
14	116CN0015	CYLINDER MK265	1	-
15	116HT0002	CYLINDER SEAL SF2500	1	-
16	416CN0003		1	4
17	116120014	HEAD SEAL FD2000	1	-
18	116CN0013	HEAD MK263 FIL.G3/8#	1	-
19	010130000	O RING 3075 VITON	1	-
20	016NC0004	COLLECTOR MK285	1	-
21	014001075	SCREW M8X116 8.8	2	-
22	014002026	SCREW M6X35 8.8	2	-
23	017082001	FILTER CARTRIDGE MK285	1	12
24	017082002	AIR FILTER BRACKET MK285	1	-
25	317082000		1	4
26	008399000	OVERLOAD SWITCH 10A ZING EAR	1	2
27	033082000	BEARING 6005 C3 EC	1	-

28	010132000	SEAL 2547/7	1	-
29	034118000	ROTOR 65X75-28 CA SILUMIN P01	1	-
30	009200015	CAPACITOR 450/30 C8/D SEV-VDE	1	2
31	316CN1605	WOUND STATOR MK265-2M 230-240/50HZ	1	1
32	033005000	BEARING 6203-2Z	1	-
33	116120007	COVER FD2000	1	-
34	116120008	FD2000 FAN	1	-
35	015083000	SEEGER TIPO G16X1,5	1	-
36	014002128	SCREW M5X120 FIL.22	3	-
37	116NC0003	HOUSING MK285#	1	-
38	011000183	UNLOAD START VALVE	1	-
39	216CN0001	GASTEK SET MK265/285	1	6