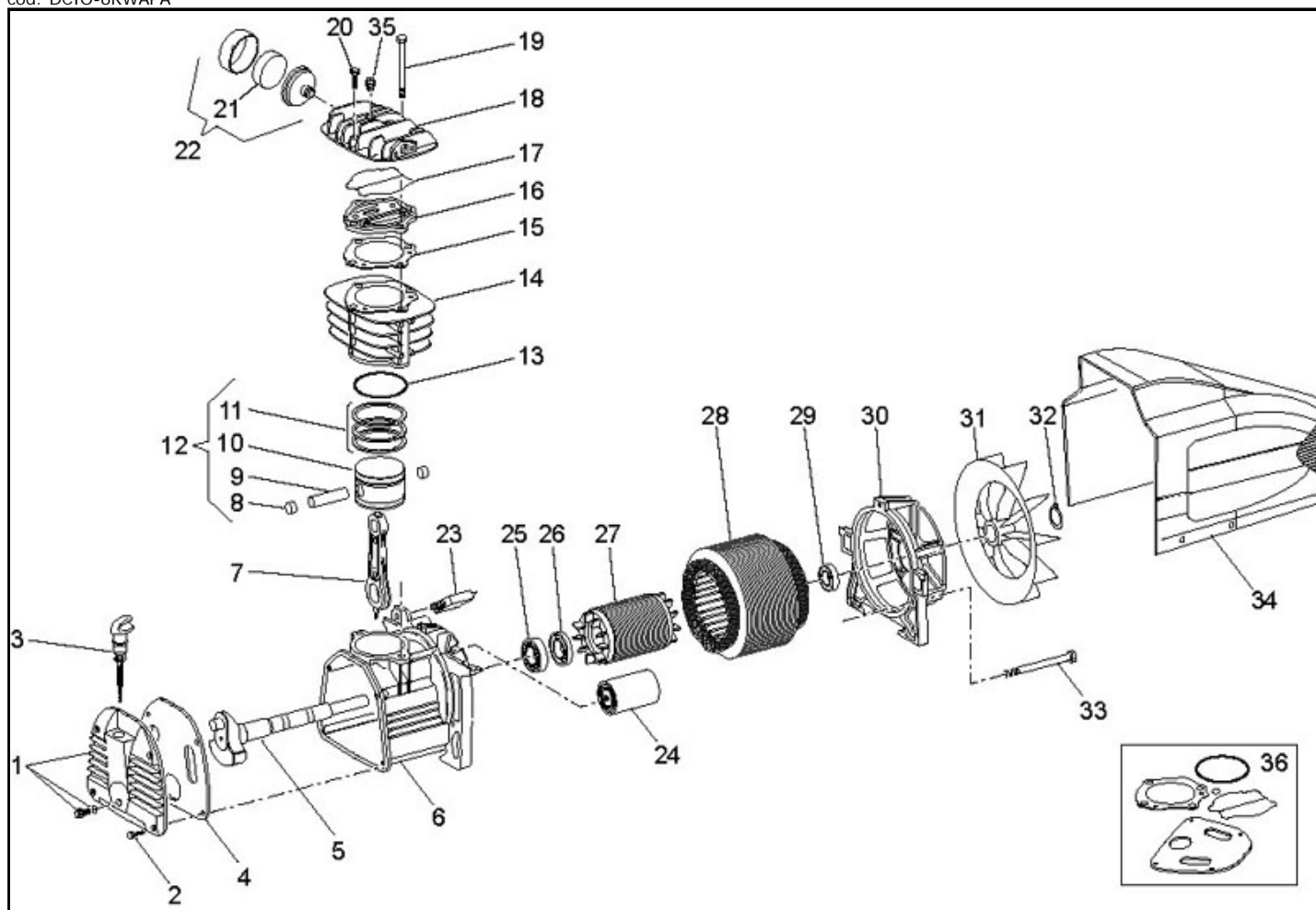


MK215-1,5M (516CM02605)

cod: DCIO-6RWAPA



cod: 001

Ref.	Code	Descr.	Quantity Advised	
1	116CN0025	COMPLETE CARTER COV ER MK265-285	1	-
2	130203179	SCREW 4,2x19 F/RO	4	-
3	012089000	OIL PLUG WITH DIPSTICK	1	2
4	116120016	COVER SEAL FD2000	1	-
5	279111043		1	-
6	116120006	CASING FD2000	1	-
7	116091021	CONNECTING ROD.	1	2
8	116120011	PLUG FD2000	2	-
9	113113003	AL- GUGDGEON PIN 12X33 D42	1	-
10	116022004	AL. PISTON 47 - MK105	1	-
11	216022002	SET OF PISTON RINGS	1	4
12	416HQ0011		1	2
13	161280020	OR 3212 NBR	1	-
14	116CM0002	CYLINDER MK215	1	-
15	116HT0002	CYLINDER SEAL SF2500	1	-
16	416CN0003		1	4
17	116120014	HEAD SEAL FD2000	1	-
18	116CN0013	HEAD MK263 FIL.G3/8#	1	-
19	014001075	SCREW M8X116 8.8	2	-
20	014002026	SCREW M6X35 8.8	2	-
21	017007000	FILTERING CARTRIDGE CM 210	1	12
22	317081000		1	4
23	008040000	OVERLOAD SWITCH 8A SEV-CSA	1	2
24	009200015	CAPACITOR 450/30 C8/D SEV-VDE	1	2
25	033082000	BEARING 6005 C3 EC	1	-
26	010132000	SEAL 2547/7	1	-

27	034036000	ROTOR 65X70-28 CA SILUMIN	1	-
28	316CM1605	WOUND STATOR MK215-1,5M 230-240/50HZ	1	1
29	033005000	BEARING 6203-2Z	1	-
30	116120007	COVER FD2000	1	-
31	116120008	FD2000 FAN	1	-
32	015083000	SEEGER TIPO G16X1,5	1	-
33	014002125	SCREW M5X110 UNI 5739	3	-
34	116CN0019	HOUSING MK215#	1	-
35	011000183	UNLOAD START VALVE	1	-
36	216120004	GASTEK SET SF2000 (CINA)	1	6