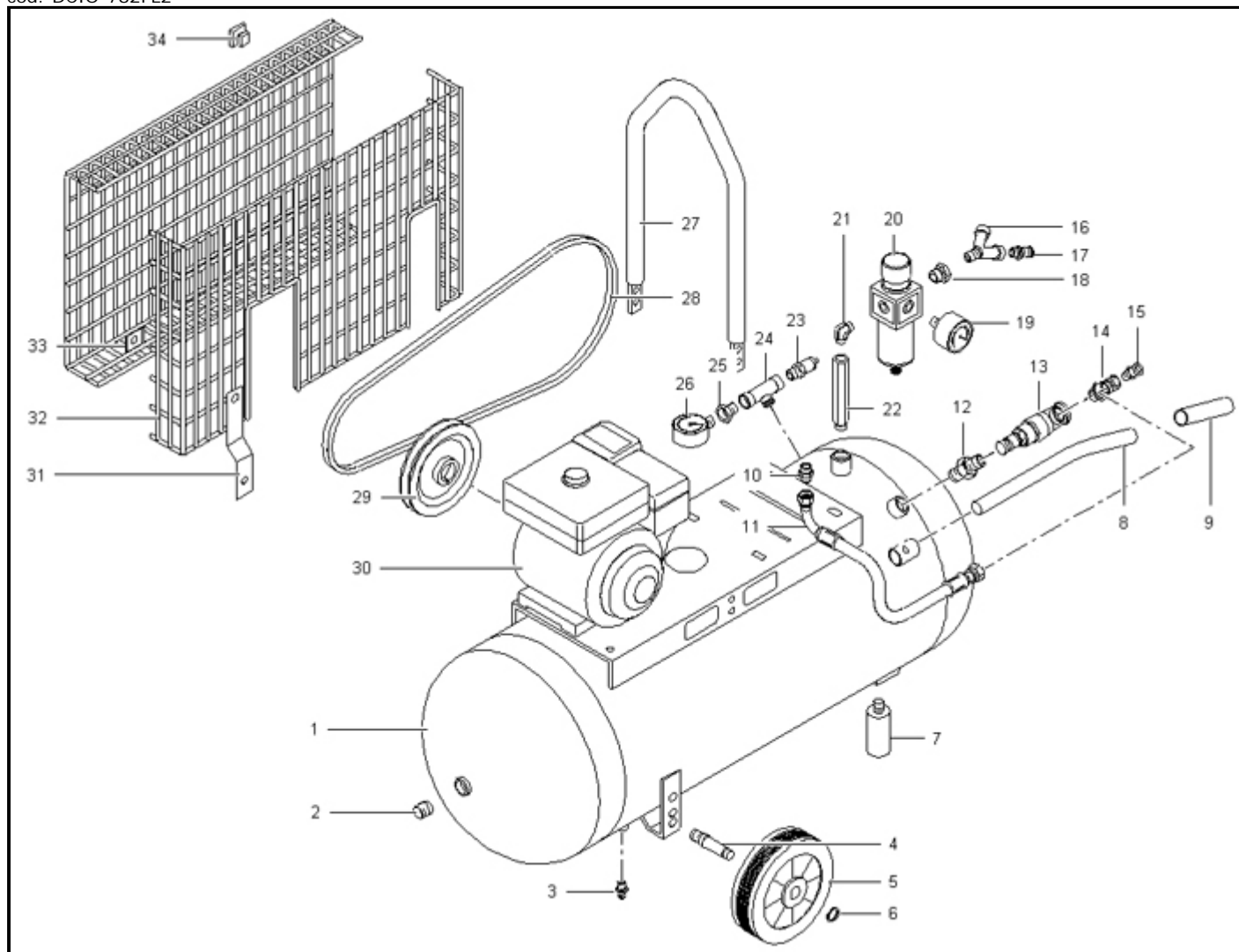


 [print](#) |  [close](#)

## BK119-100-9S AP (872IT1X000)

cod: DCIO-782FL2



cod: 001

Ref.	Code	Descr.	Quantity Advised	
1	172037000V	TANK L100-L-B600/S D370/15 CE	1	-
2	111008000	PLUG R1/2 DRISEAL LOC 2040	2	-
3	122020000		1	-
4	199120830	WHEEL SPINDLE L100 SCOPPIO D20X105	2	-
5	020116000	WHEEL 260X85	2	4
6	015005000	SEEGER E20 UNI7435	2	8
7	199120110	FRONT SUPPORT SERB.L100 SCOPPIO	1	-
8	199120090	HANDLE E.C.MK92-93-BK14 SCOPPIO ZIN	2	-
9	020121000	KNOB MOD.1024 D23	2	2
10	011114000	STRAIGHT FITTING G1/2X15	1	-
11	199120530	FLEXIBLE HOSE BP70/8-440+RACCORDI	1	2
12	011040000	NIPPLE G1/2 GF280	1	-
13	047010000	IDLE-RUNNING VALVE FS-C	1	1
14	199567000	MK8 AUTOMATIC BLEED VALVE COUPLING	1	-
15	022079000	CONDENSATE DRAIN COCK G1/4	1	-
16	011270000	V FITTING G1/4 FMF ART.209/1 COMARIA	1	-
17	322030000	QUICK TAP G1/4M ART. 22GAV	2	-
18	011010000	ADAPTER G3/8X1/4	1	-
19	330006000	PRESSURE GAUGE 40-12 BAR-PSI BACK COUP	1	4

20	319247000	PRESSURE REDUCER FR 3/8 50 0-12 MW	1	1
21	011638000		1	-
22	176QA0003	SPECIAL NIPPLE M1/2XF3/8	1	-
23	047212000	SAFETY VALVE G3/8 T15	1	-
24	011268000	UNION TEE FMF R3/8	1	-
25	011010000	ADAPTER G3/8X1/4	1	-
26	330018000	PRESSURE GAUGE 63 25/15 BAR-PSI ATT.R GC	1	4
27	199120140	EYEBOLT E.C.SCOPPIO	1	-
28	045076000	V BELT SPZ 1537	1	6
29	140301004	PULLEY 112-SPZ-25,4	1	-
30	5490600000	HP 9 HONDA GX270 ENGINE	1	-
31	181AE0012	BELT GUARD SUPPORT BK14-270V	3	-
32	199120160	BELT GUARD BK14-100-9S CE	1	-
33	014005007	SQUARE WASHER - HOLE 7	6	-
34	020025000	PLASTIC DOWEL FOR GUARD-BELT	6	-