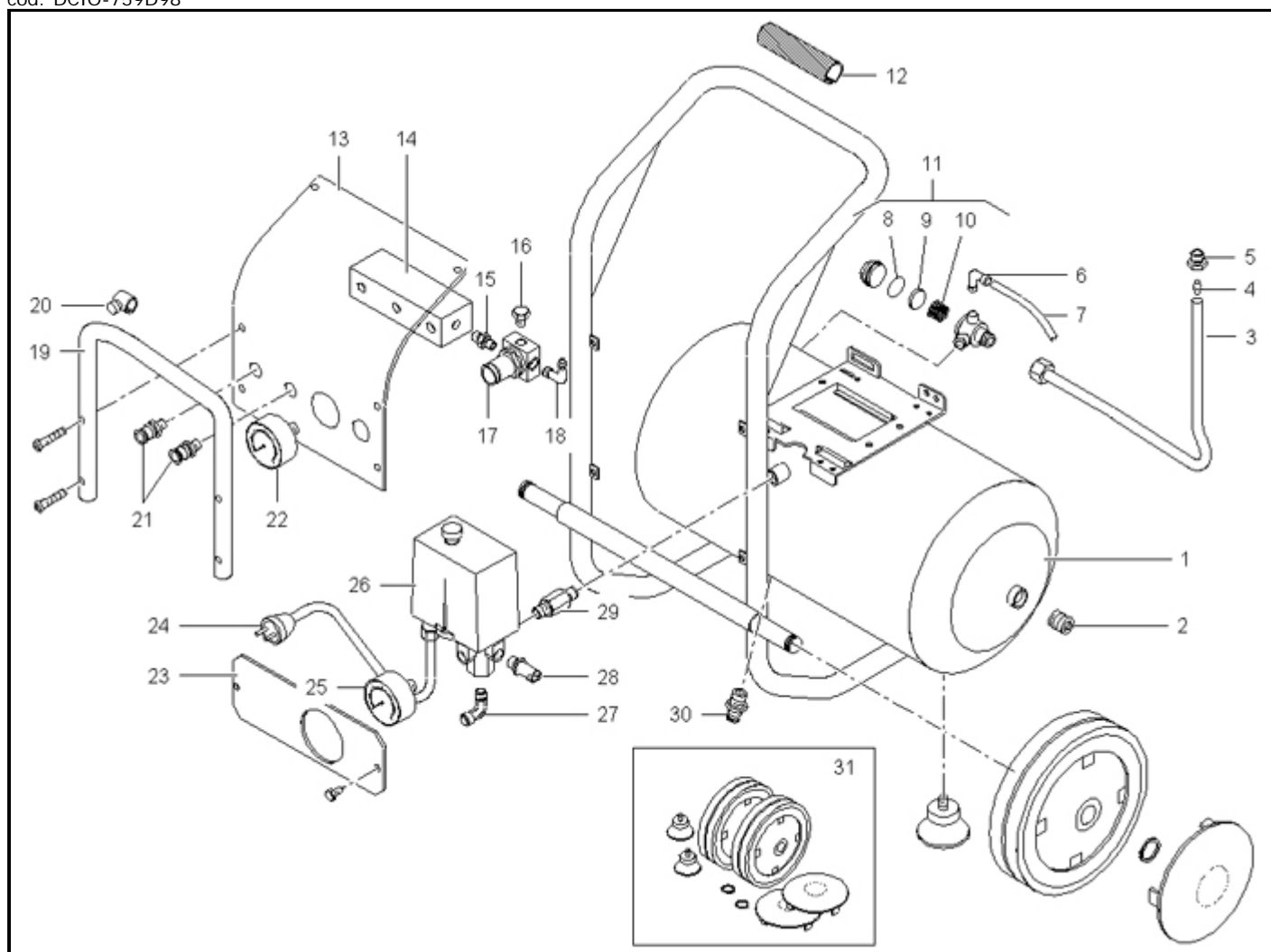


 print |  close

# BIG PIONEER 285M (602NC1A605)

cod: DCIO-759D98



cod: 002

Ref.	Code	Descr.	Quantity Advised	
1	166CN0010V	TANK L20 BP	1	-
2	111008000	PLUG R1/2 DRISEAL LOC 2040	2	-
3	102CN0001	DELIVERY TUBE BIG PIONEER 265-285	1	2
4	161535012	NOSE CONE 10/8	1	2
5	116HP0011	LOCK NUT OL185	1	-
6	011055000	L-SHAPED END COUPLING G1/8X6	1	-
7	046001000	RILSAN HOSE	1	-
8	F99357000	OR 2068 NBR 70°SH	1	-
9	047129002		1	8
10	047113002	TAPERED SPRING FOR NON-RETURN VALVE G1/2	1	-
11	347092000	CHECK VALVE 3/8X3/8MM	1	1
12	116022015	HAND GRIP - PIONEER	2	-
13	102NC0004V	ACCESSORIES PLATE BIG PIONEER 285	1	-
14	102NC0003	WYE FITTING BIG PIONEER 285	1	1
15	011017000	NIPPLE GC1/4X1/4 BRASS	1	-
16	111001000	PLUG R1/4 DRISEAL 506	1	-
17	319057000	PRESSURE REDUCER MW MR BIT 1/4 012	1	-
18	011212000	L-SHAPED END COUPLING R1/4X6	1	-
19	102NC0002V	SUPPORT FOOT BIG PIONEER	1	-
20	020201000	VIBRATION DAMPER	1	4

21	322030000	QUICK TAP G1/4M ART. 22GAV	2	-
22	330007000	PRESSURE GAUGE 50-16/10 BAR-PSI REAR	1	4
23	102NC0001V	PROTECTION BRACKET BIG PIONEER285	1	-
24	164A04400	POWER CABLE 3X1,5 SCHUKO H05 RRF DIR.CE	1	-
25	330007000	PRESSURE GAUGE 50-16/10 BAR-PSI REAR	1	-
26	321028000	PRESSURE SWITCH 4115/2 NEMA/P 4 VIE 1/4C	1	1
27	011000169	L-FITTING M 1/4X6	1	-
28	047206000	SAFETY VALVE .G1/4 T10 PED	1	-
29	011080000	NIPPLE GC1/4X3/8	1	-
30	122020000		1	-
31	402CN0010	COMPLETE WHEELS KIT	1	6