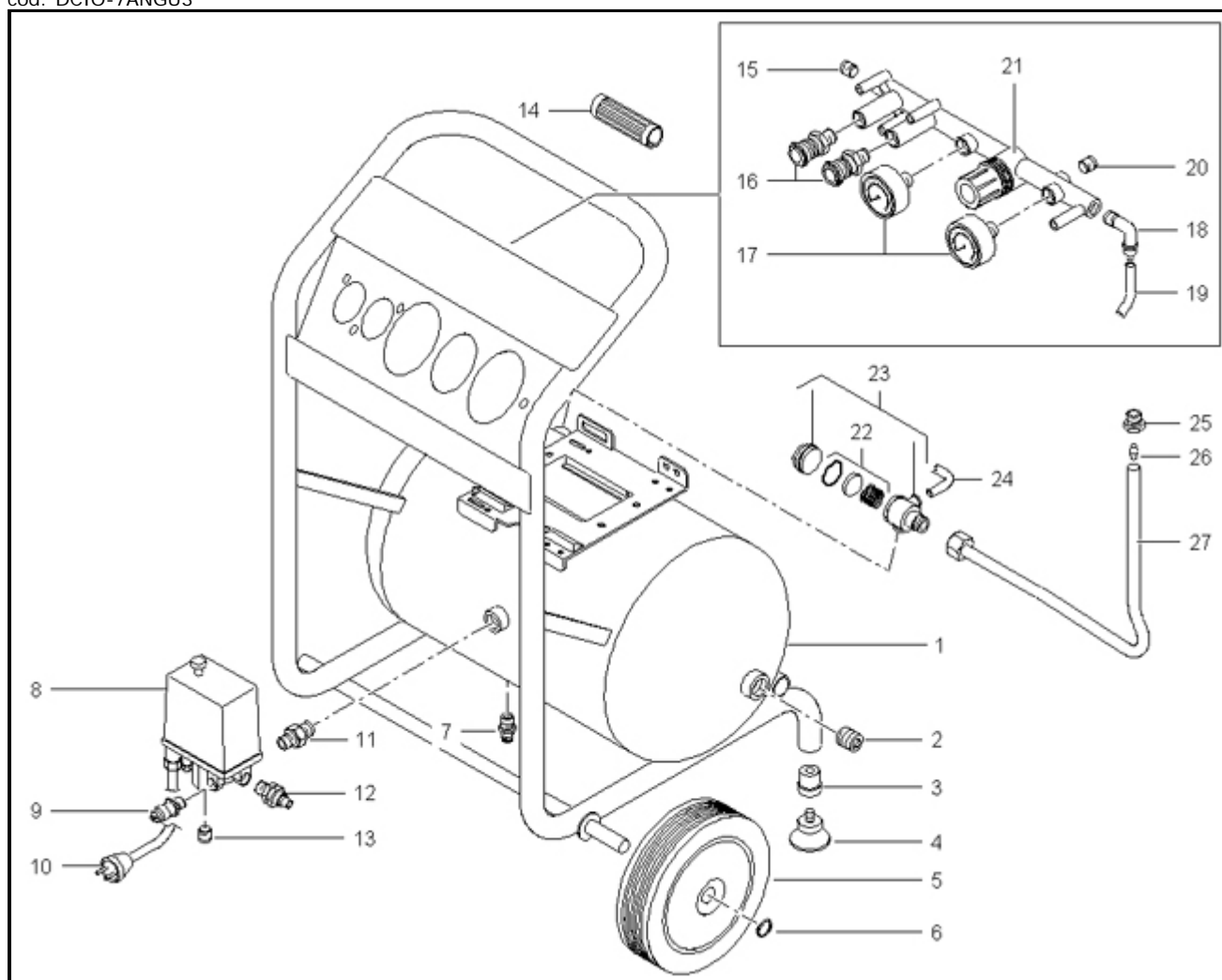




BIG PIONEER 285M (602NC5A605)

cod: DCIO-7ANGU3



cod: 002

Ref.	Code	Descr.	Quantity Advised	
1	166CN0005V	TANK L20 BIG PIONEER MK265	1	-
2	111008000	PLUG R1/2 DRISEAL LOC 2040	1	-
3	012103000	PLUG FOR VIBRATION DAMPER	2	-
4	020004000	VIBRATION DAMPER WARRIOR CSA	2	8
5	020296000	WHEEL 175 X 48 -15	2	4
6	015003000	SEEGER E15 UNI7435	2	4
7	022020000	CONDENSATE DRAIN COCK	1	-
8	321028000	PRESSURE SWITCH 4115/2 NEMA/P 4 VIE 1/4C	1	1
9	047206000	SAFETY VALVE .G1/4 T10 PED	1	-
10	164A04400	POWER CABLE 3X1,5 SCHUKO H05 RRF DIR.CE	1	-
11	011080000	NIPPLE GC1/4X3/8	1	-
12	B60505000	STRAIGHT JOINT 1/4" 10x8	1	-
13	111001000	PLUG R1/4 DRISEAL 506	1	-
14	116022015	HAND GRIP - PIONEER	1	-
15	011019000	STEEL CAP GC3/8	1	-
16	322053000	SNAP COCK CPL.G1/4M UNIVERSAL	2	-
17	330007000	PRESSURE GAUGE 50-16/10 BAR-PSI REAR	2	4
18	011343000	ELBOW M R1/4X10	1	-
19	046003000	RILSAN HOSE	0,5	-
20	011364000	PLUG G1/4 BRASS	1	-

21	199HU0003	4 WAYS AIR-DISTRIBUTION - BIG PIONEER	1	-
22	247009000	CHECK VALVE 347067000 - MAINT.KIT	1	4
23	347067000	CHECK VALVE 1/2M TUBO D10 FQL	1	1
24	046001000	RILSAN HOSE	1	-
25	116HP0011	LOCK NUT OL185	1	-
26	161535012	NOSE CONE 10/8	1	2
27	102CN0001	DELIVERY TUBE BIG PIONEER 265-285	1	2