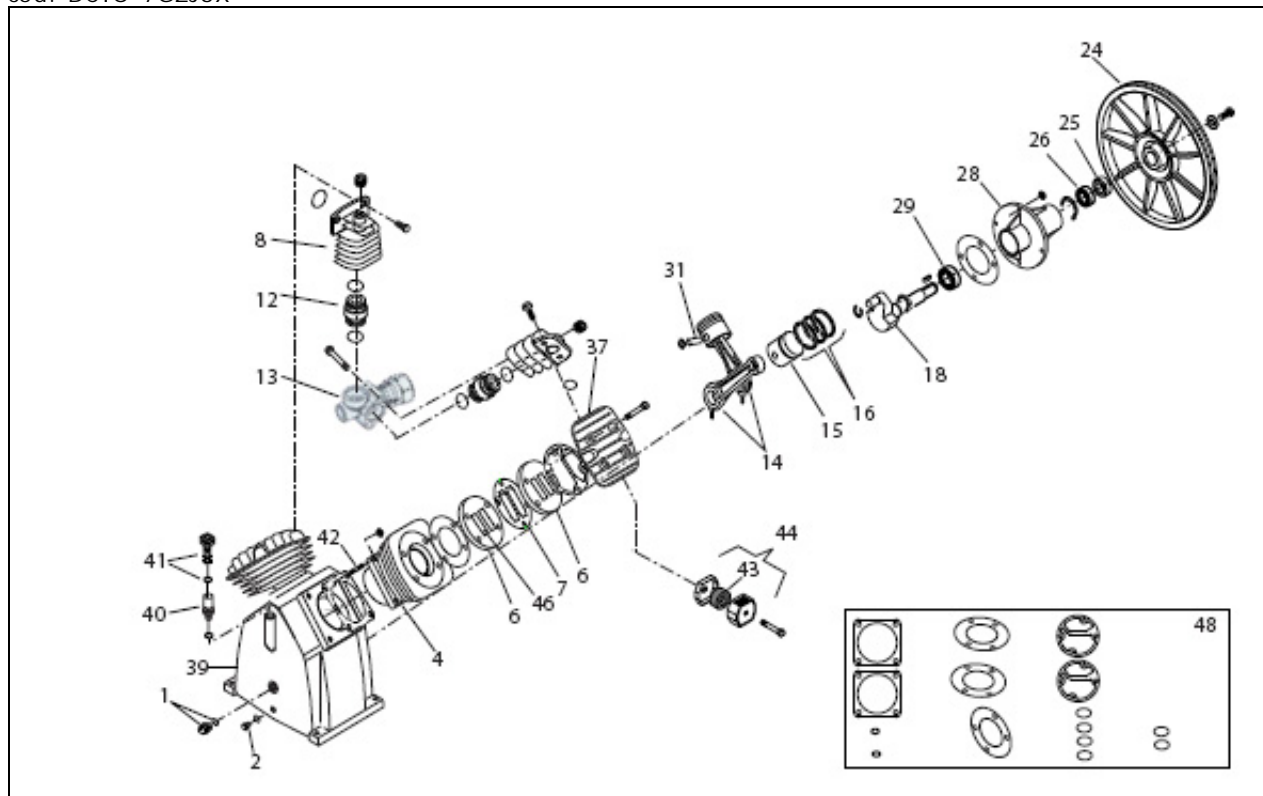
 [print](#) |  [close](#)

## SKM15 (SPZ) (5131920030)

cod: DCIO-7GZJ6X



Ref.	Code	Descr.	Quantity	Advised	cod: 001
1	012031000	OIL SIGHT GLASS G3/4	1	-	
2	012022000	OIL DRAIN PLUG G1/4"	1	-	
4	113192001		2	-	
6	116025046	VALVE PLATE MK250	4	-	
7	116025023	PLATE GASKET - MK250	2	-	
8	113192005		2	-	
12	113194001		2	-	
13	113192004		1	-	
14	416067019	COMPLETE CON.ROD - VKM600	2	2	
15	116028017	PISTON 70 - MK340	2	2	
16	216028002	SET OF PISTON RINGS MK340	2	6	
18	113173003	CRANKSHAFT SKM14	1	-	
24	113183018	FLYWHEEL 1-SPZ SKB20	1	-	
25	010008000	SEAL RING 3050/10	1	-	
26	033008000	BEARING 6206-2Z	1	-	
28	113173004	FRONT SUPPORT SKM14	1	-	
29	033036000	BEARING 6207	1	-	
31	116025006	AL.GUDGEON PIN 17X51,5 D60-70	2	-	
37	113192006		2	-	
39	113173001	CASING SKM14	1	-	
40	113172009	SPACER SKM10	1	-	
41	312047000		1	-	
42	113125043	-PLATED STUD BOLT M8X35 12-15	12	-	
43	017003000	FILTER CARTRIDGE CM410	2	12	
44	317001000	INTAKE FILTER CM410	2	2	
46	116067022	BLADE VALVE 12X030X60	4	-	
48	213192000		1	6	