
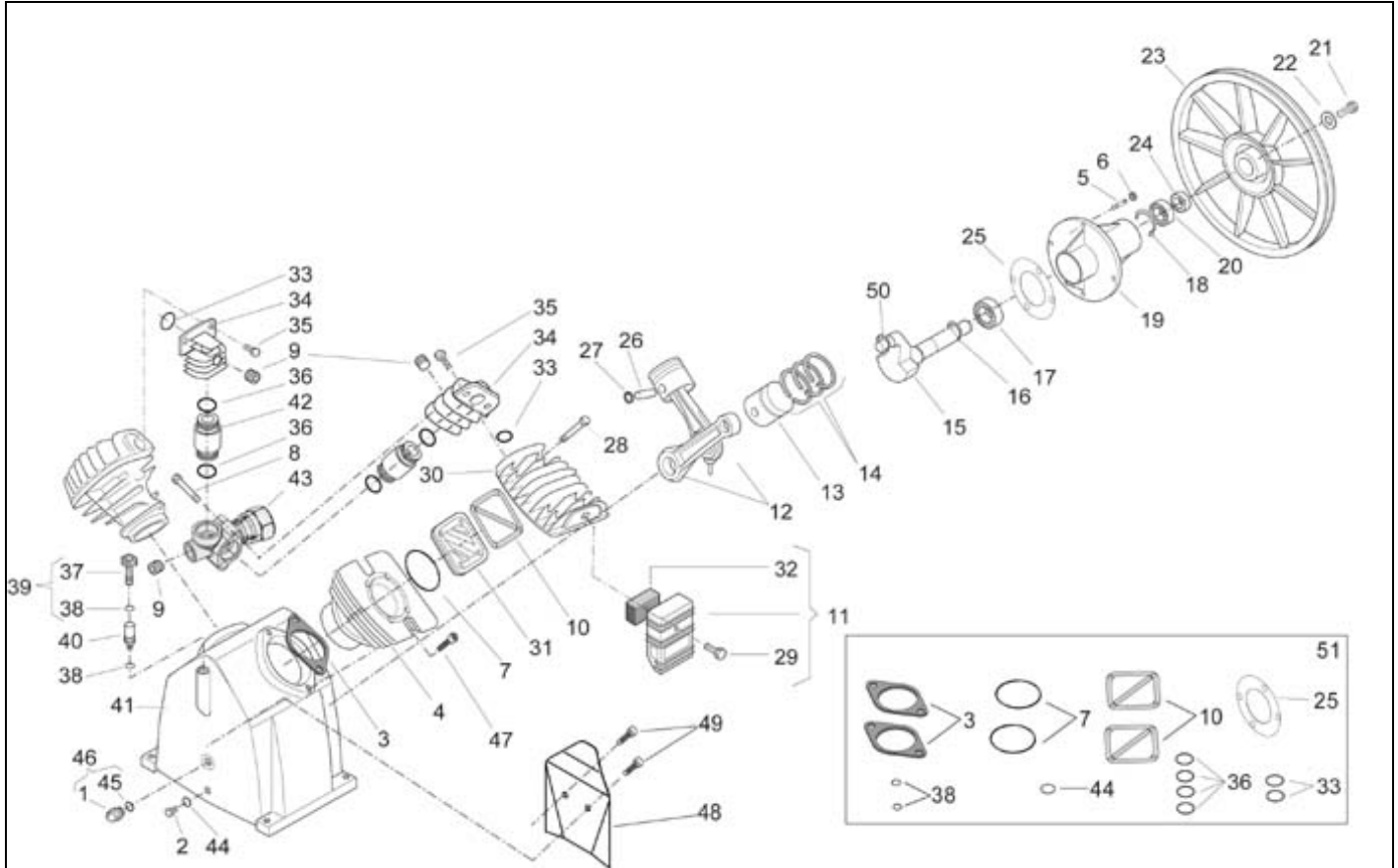
 [print](#) |  [close](#)

SKM13S (5131960000)

cod: DC10-7QYFQB



Ref.	Code	Descr.	Quantity	Advised	cod: 001
1	012101000	OIL LIGHT 1/2"	1	-	
2	012022000	OIL DRAIN PLUG G1/4"	1	-	
3	113175015		2	-	
4	113181001		2	-	
5	113125043	-PLATED STUD BOLT M8X35 12-15	4	-	
6	014003018	NUT M8 5587 6S	4	-	
7	010057000	O RING 4262 SILICONE	2	-	
8	014013035		2	-	
9	011018000	CAP G3/8+AL.GASKET	3	-	
10	116091014	HEAD GASKET - MK255	2	-	
11	317051000	INTAKE FILTER MK282 COMPL.	2	8	
12	113181002	CONROD SKM12/S	2	4	
13	113165013	PISTON ¥60	2	4	
14	216025002	SET OF PISTON RINGS MK250	2	4	
15	113181003		1	-	
16	015005000	SEGER E20 UNI7435	1	-	
17	033027000	BEARING 6205	1	-	
18	015148000	CIRCLIP	1	-	
19	113172002	FRONT SUPPORT SKM10	1	-	
20	033006000	BEARING 6204-2Z	1	-	
21	014001053	ZINC PLATED SCREW M8X45 UNI5739-5D	1	-	
22	014005001	WASHER 9X36X4	1	-	
23	013160010	FLY WHEEL MK94-92 NEW	1	-	
24	010183000	SEAL 20X47X10	1	-	
25	113172015	FRONT SUPPORT GASKET SKM 10-11-12	1	-	
26	116025006	AL.GUDGEON PIN 17X51,5 D60-70	2	-	

2009-06-15

SKM13S (5131960000)

27	015023000	SEEGER 17 D.60-70	4	-
28	014002041	SCREW M8X65 UNI5737-8G	8	-
29	014020001	SCREW M6X50 UNI7688	2	-
30	116091003	HEAD - MK255	2	-
31	413175002	VALVE HOLDER PLATE .SKM12	2	-
32	116091018	FILTER CARTRIDGE - MK255	2	8
33	010102000	O RING 3081 VITON	2	-
34	113194002		2	-
35	014013082	SCREW M8X20 UNI 8110	4	-
36	010078000	O RING 3056 VITON	4	-
37	012047000	VENT PLUG	1	-
38	010024000	O RING 117	2	-
39	312047000		1	3
40	113172009	SPACER SKM10	1	-
41	113181011		1	-
42	113196001		2	-
43	116055038	MANIFOLD COUPLING VKM402	1	-
44	010201000		1	-
45	010231000		1	-
46	012029000	OIL SIGHT GLASS G1/2	1	-
47	014001048	SCREW M8X50 UNI5739-5D	1	-
48	113181010		1	-
49	017017008		2	-
50	015146000		1	-
51	213195002		1	6