



Tipo
Type

Coassiale
Coaxial

Modello
Model

SF2500

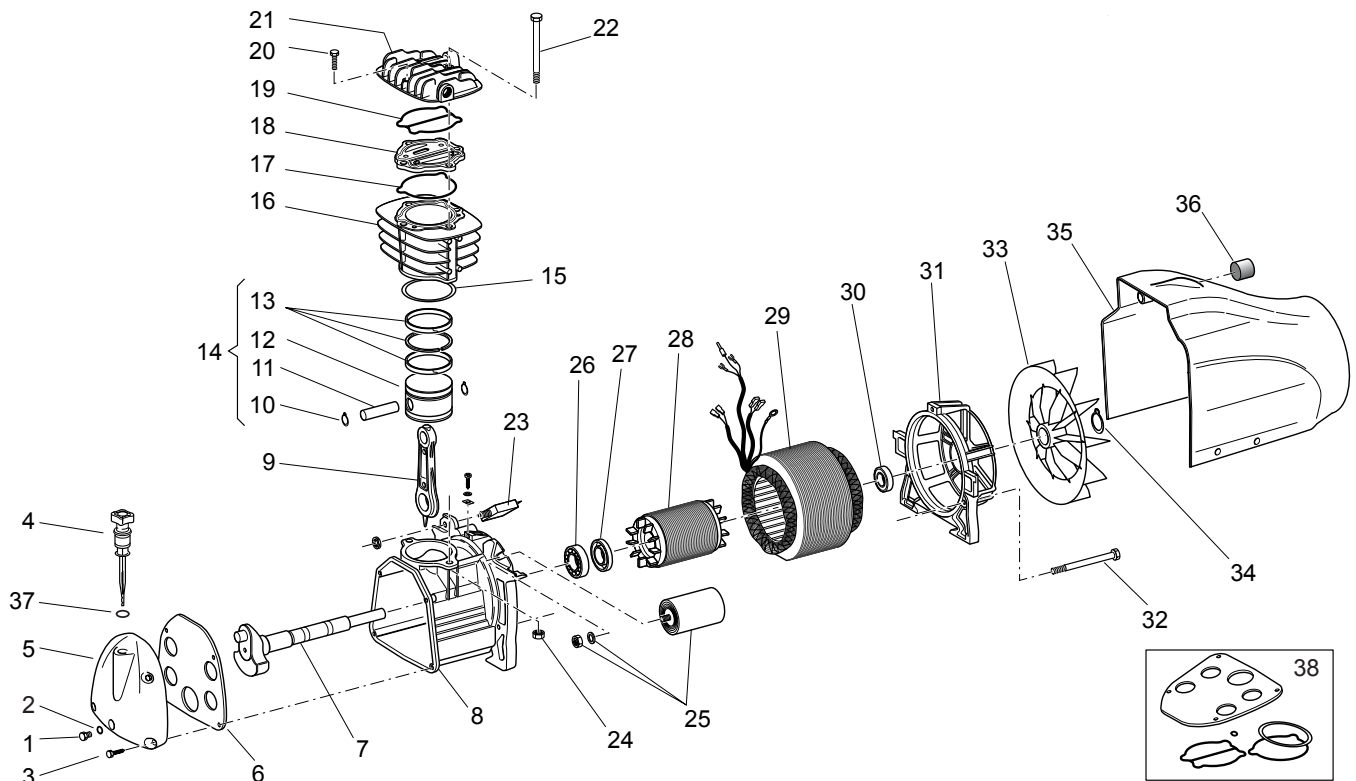
Litri
Litres -----

V/Hz/Ph
230/50/1

Codice
Code **516HQ21604**

Data
Date **Gennaio 2004
January 2004**

Revisione
Revision **03**



Rif.	Q.ta'	Codice	* Denominazione
Ref.	Q.ty	Code	Denomination

1	1	014013024	VITE M6X10	SCREW M6X10
2	1	010072000	ANELLO OR 2031	O-RING 2031
3	4	130203179	VTE M4,2X19	SCREW
4	1	012043000	ASTA OLIO	OIL DIPSTICK
5	1	016120003	COPERCHIO CARTER AL	CASING COVER
6	1	116120030	GUARNIZ.COP.CARTER	CASING COVER GASKET
7	1	116120004	ALBERO A GOMITO	CRANKSHAFT
8	1	116120006	CARTER	CASING
9	1	116091021	2 BIELLA	CON. ROD
10	2	015001000	ANELLO SEEGER	PIN RETAINING RING
11	1	116022040	SPINOTTO 12X33 D42	GUDGEON PIN
12	1	116022004	PISTONE 47	PISTON Ø47
13	1	216022002	8 KIT SEGMENTI	PISTON RING SET
14	1	416022004	4 PISTONE COMPLETO	COMPLETE PISTON
15	1	010133000	ANELLO OR 3212 NBR	O-RING 3212 NBR
16	1	116HT0001	CILINDRO	CILYNDER
17	1	116HT0002	GUARNIZ.CILINDRO	CILYNDER GASKET
18	1	116120100	PIASTRA PORTAVALVALVOLE	VALVE PLATE
19	1	116120014	GUARNIZ.TESTA	HEAD GASKET
20	2	014013031	VTE M6X35 TAP-TITE	SCREW
21	1	116120015	TESTA	HEAD
22	2	014001071	VTE M8X111	SCREW
23	1	008262000	MOTOPROT.MANUALE 7A	OVERLOAD CUTOUT
24	2	014003018	DADO ESAG.M8	NUT
25	1	009200004	2 COND.FILM400/25 C8/D SEV	CAPACITOR
26	1	033082000	CUSCINETTO 6005	BEARING
27	1	010132000	ANELLO DI TENUTA	SEAL RING

* Ricambi consigliati in percentuale - Suggested parts in percentage

Rif.	Q.ta'	Codice	*	Denominazione	
Ref.	Q.ty	Code		Denomination	
28	1	116HT0004		ROTORE 64,3X55-28	ROTOR
29	1	155812077	1	STATORE AVVOLTO	WOUND STATOR
30	1	033005000		CUSCINETTO 6203-2Z	BEARING
31	1	116120007		CALOTTA	REAR COVER
32	3	161173025		VTE M5X95	SCREW
33	1	116120008	2	VENTOLA	FAN
34	1	015083000		ANELLO SEEGER	CIRCLIP
35	1	116120001	1	CARENATURA	HOUSING
36	1	116120017	10	ELEMENTO FILTRANTE	FILTERING ELEMENT
37	1	010024000		ANELLO OR 117	O-RING 117
38	1	216120004	6	KIT GUARNIZIONI	SET OF GASKETS