



Tipo **Coassiale lubrificato**
Type **Coaxial lubricated**

Modello **MK282**
Model

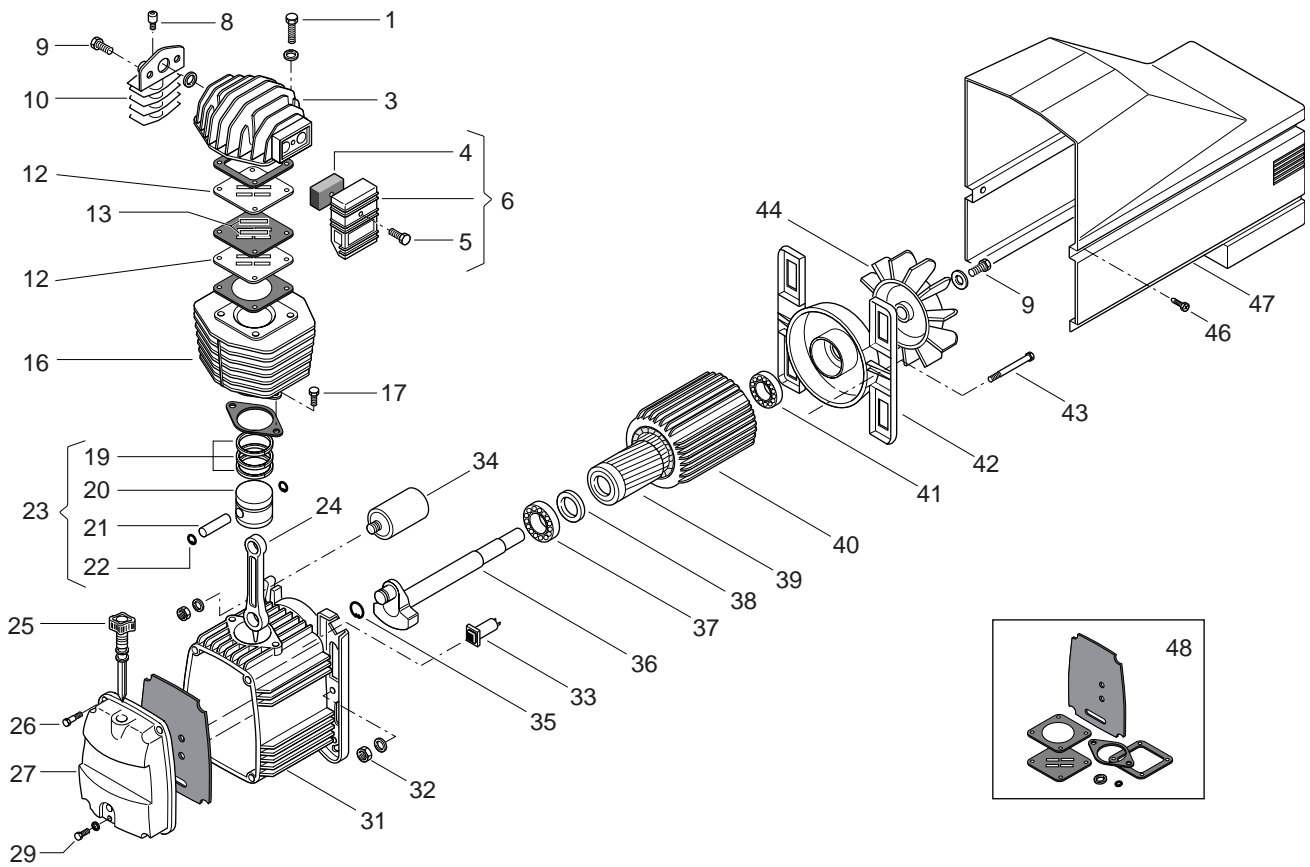
HP **2,5**

V/Hz/Ph **230/50/1**

Codice **516GZ91604**
Code

Data **Luglio 2002**
Date **July 2000**

Revisione **02**
Revision



Rif.	Q.ta'	Codice	* Denominazione
Ref.	Q.ty	Code	Denomination

1	4	014002043	VTE M8X50	SCREW
3	1	116091003	TESTA MK255#	HEAD
4	1	116091018	12 ELEMENTO FILTRANTE	FILTERING ELEMENT
5	1	014020001	VTSP M6X50	SCREW
6	1	317051000	2 FILTRO ASPIRAZIONE	INTAKE FILTER
8	1	011158000	2 VALV.AUTOM.SCARICO G1/4-2,2 16.1030	AUTOMATIC DISCHARGE VALVE
9	3	014001044	VTE M8X18	SCREW
10	1	116091024	COLLETTORE FINALE	MANIFOLD
12	1	116091040	PIASTRA PORTAVALV.	VALVE HOLDER PLATE
13	2	116091019	12 VALVOLA LAMELLARE	BLADE VALVE
16	1	116091008	CILINDRO	CYLINDER
17	2	014011064	VTCEI M8X20	SCREW
19	1	213118002	KIT SEGMENTI	PISTON RING SET
20	1	113118007	4 PISTONE 50	PISTON
21	1	113118030	SPINOTTO 12X40 D50	GUDGEON PIN
22	2	015001000	8 ANELLO SEEGER	CIRCLIP
23	1	413118007	2 PISTONE COMPLETO	COMPLETE PISTON
24	1	116091021	BIELLA	CONNECTING ROD
25	1	012043000	2 ASTA LIVELLO OLIO	OIL DIPSTICK
26	4	014013021	VTE M6X20 TAP-TITE	SCREW
27	1	016091002	COPERCHIO CARTER	CASING COVER
29	1	014013024	VTE M6X10 TAP-TITE	SCREW
31	1	116091001	CARTER	CASING
32	2	014003002	DADO ESAG.M6	NUT
33	1	008015000	2 MOTOPROTETTORE 10 A	OVERLOAD CUTOUT
34	1	009200026	COND.FILM450/40	CONDENSER
35	1	015005000	ANELLO SEEGER	CIRCLIP
36	1	116091010	ALBERO A GOMITO	CRANKSHAFT

* Ricambi consigliati in percentuale - Suggested parts in percentage

Rif.	Q.ta'	Codice	*	Denominazione	
Ref.	Q.ty	Code		Denomination	
37	1	033027000		CUSCINETTO 6205	BEARING
38	1	010029000		ANELLO DI TENUTA 25X52X10 A	SEAL
39	1	116091020		ROTORE 65X80-18	ROTOR
40	1	416091605	1	CARC.AVV. 230-240/50	WOUND CASING
41	1	033118000		CUSCINETTO 6203-2Z-C3	BEARING
42	1	116011002		CALOTTA	REAR COVER
43	2	116042020		VTE M6X150	SCREW
44	1	116091005		VENTOLA ELICOIDALE	FAN
46	4	014006121		VTE 4,2X13	SCREW
47	1	116091007		CARENATURA	HOUSING
48	1	216GZ0001	6	KIT GUARNIZIONI	GASKETS SET

* Ricambi consigliati in percentuale - *Suggested parts in percentage*