



Tipo **Coassiale lubrificato**
Type **Coaxial lubricated**

Modello **MK262**
Model

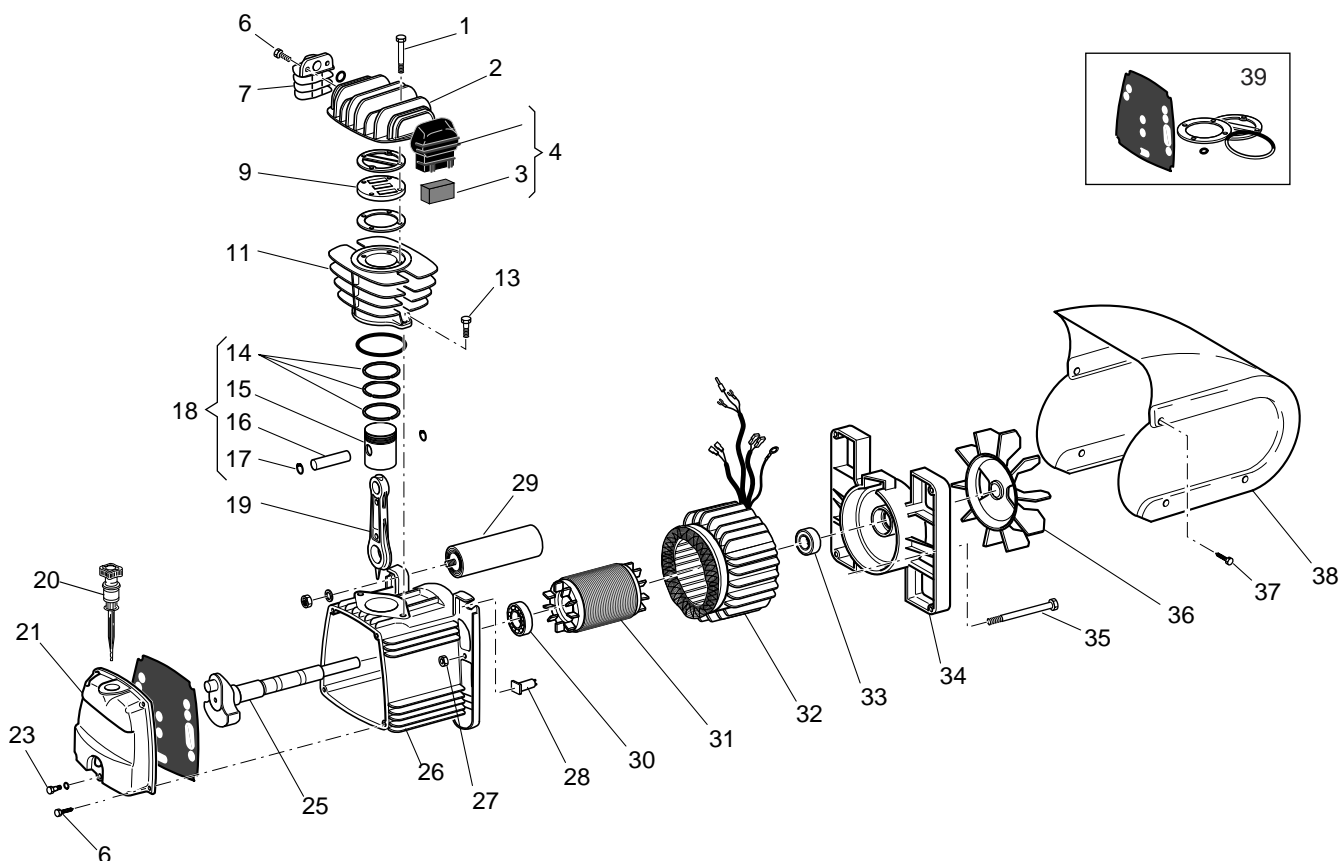
HP **2**

V/Hz/Ph
230-240/50/1

Codice **516HZ16604**
Code

Data **Luglio 2002**
Date **Luglio 2002**

Revisione **02**
Revision



Rif.	Q.ta'	Codice	* Denominazione	
Ref.	Q.ty	Code	Denomination	
1	4	014002021	VTE M6X45	SCREW
2	1	016055040	TESTA	HEAD
3	1	116055043	12 ELEMENTO FILTRANTE	FILTERING ELEMENT
4	1	317050000	4 FILTRO ASPIRAZIONE	INTAKE FILTER
6	6	014013021	VTE M6X20 TAP-TITE	SCREW
7	1	116117020	COLLETTORE	MANIFOLD
9	1	116022100	4 PIASTRA PORTAVALV.COMPLETA	VALVE HOLDER PLATE
11	1	116093002	CILINDRO	CYLINDER
13	2	014011064	VTCEI M8X20	SCREW
14	1	216022002	4 KIT SEGMENTI	PISTON RING SET
15	1	116022004	PISTONE 47	PISTON
16	1	116022040	SPINOTTO 12X38 D47	GUDGEON PIN
17	2	015001000	ANELLO SEEGER	CIRCLIP
18	1	416022004	2 PISTONE COMPLETO	COMPLETE PISTON
19	1	116091021	2 BIELLA	CONNECTING ROD
20	1	012043000	ASTA LIVELLO OLIO	OIL DIPSTICK
21	1	016091002	COPERCHIO CARTER	CASING COVER
23	1	014013024	VTE M6X10 TAP-TITE	SCREW
25	1	116093003	ALBERO A GOMITO	CRANKSHAFT
26	1	116091001	CARTER	CASING
27	2	014003002	DADO ESAG.M6	NUT
28	1	008015000	2 MOTOPROT.MANUALE 10A	OVERLOAD CUTOUT
29	1	009200015	2 COND.FILM450/30	CONDENSER
30	1	033027000	CUSCINETTO 6205	BEARING
31	1	116093005	ROTORE 65X75-28	ROTOR
32	1	416093605	1 CARC.AVV.MK245-2M 24050	WOUND CASING
33	1	033118000	CUSCINETTO 6203-2Z-C3	BEARING
34	1	116011002	CALOTTA	REAR COVER

* Ricambi consigliati in percentuale - Suggested parts in percentage

Rif.	Q.ta'	Codice	*	Denominazione	
Ref.	Q.ty	Code		Denomination	
35	2	116011038		VTE M6X130	SCREW
36	1	116001003		VENTOLA	FAN
37	2	014006121		VTE 4,2X13 UNI6950 F/RO AUTOFIL.	SCREW
38	1	116117015	1	CARENATURA MK212	HOUSING
39	1	216HZ0001	6	KIT GUARNIZIONI	GASKETS SET

* Ricambi consigliati in percentuale - *Suggested parts in percentage*