



Tipo **Con motore a scoppio**  
Type **With petrol engine**

Modello **MK113 100**  
Model **9S HONDA**

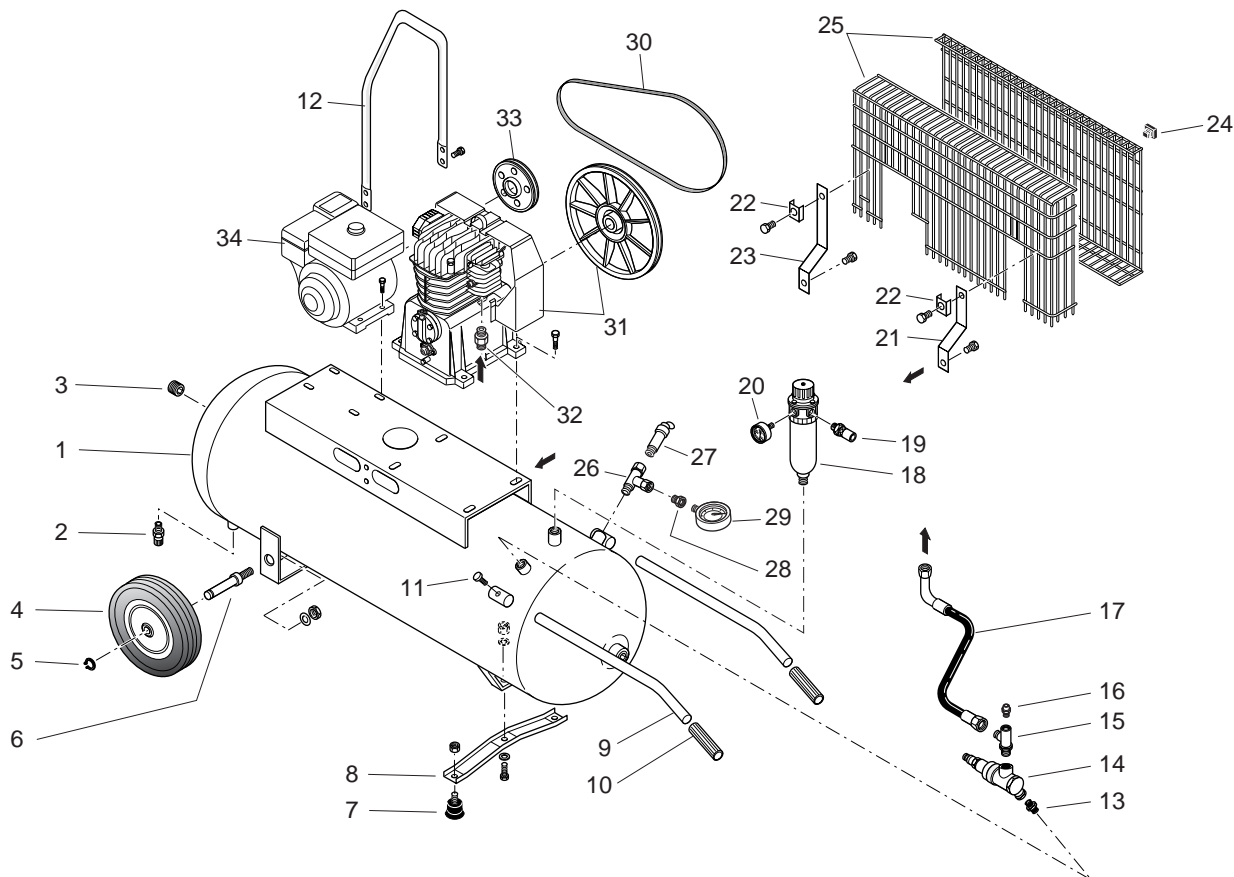
Litri **100**  
Litres **100**

HP **9**

Codice **872QD1A000**  
Code

Data **Agosto 2002**  
Date **August 2002**

Revisione **01**  
Revision



Rif.	Q.ta'	Codice	* Denominazione	
Ref.	Q.ty	Code	Denomination	
1	1	172025000V	SERBATOIO L100	TANK 100 LT.
2	1	022021000	RUBIN. SCARICO CONDENSAG3/8	DRAIN COCK
3	2	011008000	TAPPO GC1/2	PLUG
4	2	020116000	4 RUOTA 260X85	WHEEL
5	2	015005000	12 ANELLO SEEGER	CIRCLIP
6	2	199140582	PERNORUOTA	WHEEL SPINDLE
7	2	020004000	4 ANTIVIBRANTE	VIBRATION DAMPER
8	1	170QH0003	1 STAFFA SUPP.ANTIVIBRANTE	VIBRATION DAMPERS BRACKET
9	2	199140581	MANICO SERBATOIO	HANDLE
10	2	020121000	MANOPOLA PLASTICA	KNOB
11	2	014040002	POMELLO	KNOB
12	1	199120140	GOLFARE	EYEBOLT
13	1	011040000	NIPPLOR1/2	NIPPLE
14	1	047010000	1 VALVOLA FUNZ.VUOTO G 1/2	IDLE OPERATION VALVE
15	1	199567000	RACCORDO LMMR1/2X1/2+1/4	L-FITTING
16	1	022029000	RUBIN. SCARICO CONDENSAG1/4	DRAIN COCK
17	1	199120530	2 TUBO ARIA FLEX.	DELIVERY TUBE (FLEX)
18	1	319174000	1 RIDUTTORE PRESSIONE 2U 1/4	PRESSURE REDUCER
19	2	322053000	RUBINETTO RAPIDO CPL.G1/4M	SNAP COCK
20	1	H03217000	4 MANOMETRO 50 1/4"	PRESSURE GAUGE
21	2	199555000	SUPP.PARACINGHIA CENTR.	BELT GUARD BRACKET
22	4	014005007	ROND. QUADRATA	SQUARE WASHER
23	1	181AE0012	SUPP.PARACINGHIA LAT.	BELT GUARD BRACKET
24	6	020025000	TASSELLI	BELT GUARD BLOCK
25	1	199120160	PARACINGHIA	BELT GUARD
26	1	011268000	RACC. T FMF 3/8	UNION TEE
27	1	047076000	VALVOLA SICUREZZA G3/8 T11	SAFETY VALVE
28	1	011010000	RIDUZIONE G3/8X1/4	REDUCTION

\* Ricambi consigliati in percentuale - Suggested parts in percentage

Rif.	Q.ta'	Codice	*	Denominazione	
Ref.	Q.ty	Code		Denomination	
29	1	330031000	4	MANOMETRO 63-GC1/4	PRESSURE GAUGE
30	1	045130000	6	CINGHIA TRAPEZOIDALE A52	V BELT
31	1	5131640000		COMP.MK113	MK1113 PUMP
32	1	011114000		RACC. M R1/2 TUBO 15	STRAIGHT FITTING
33	1	140185004		PULEGGIA 132-A-25,4	PULLEY
34	1	5490600000		MOT.SCOPPIO HP9 HONDA	I.C. ENGINE 9 CV HONDA