



Tipo
Type

Coassiale
Coaxial

Modello
Model

**CRAFTAIR
362 M**

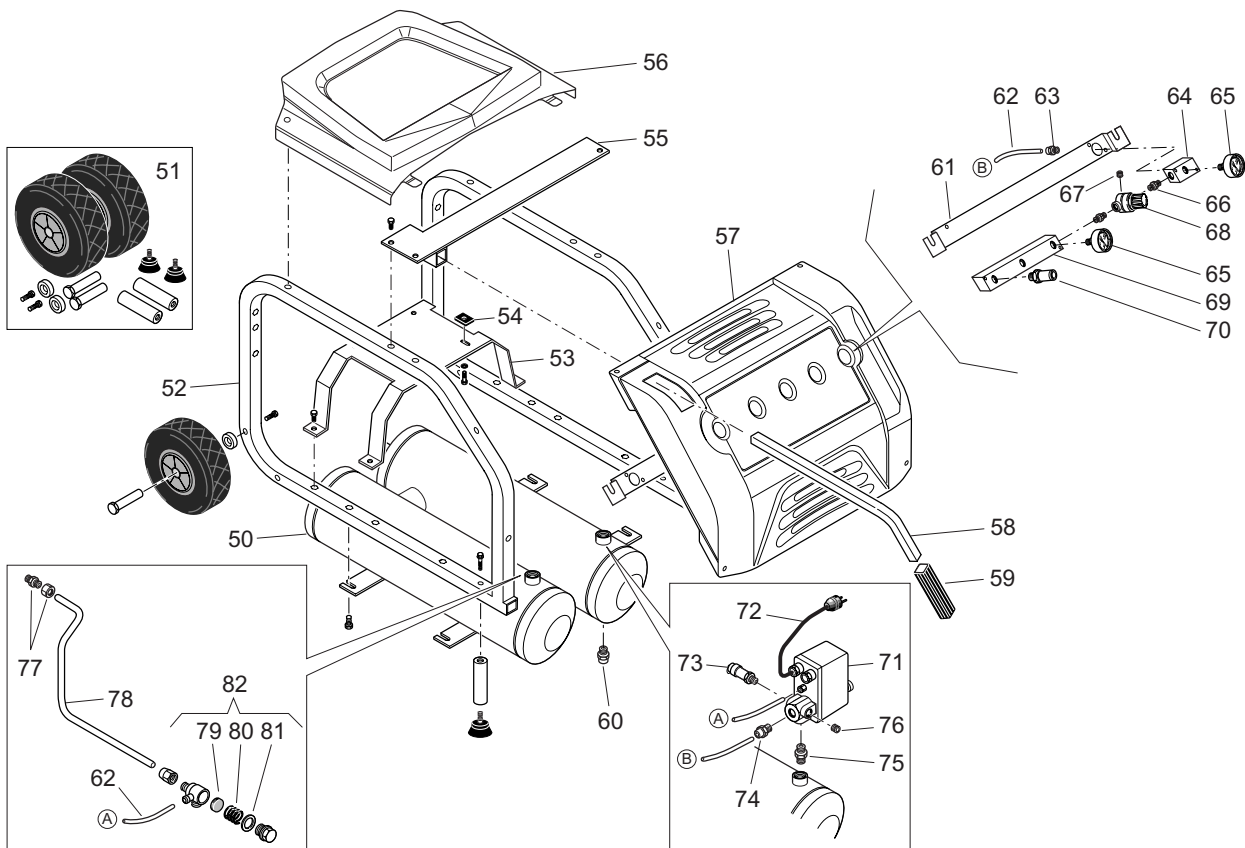
Litri
Litres **18**

V/Hz/Ph
230/50/1

Codice
Code **605HS2A604**

Data
Date **Aprile 2004
April 2004**

Revisione
Revision **01**



| Rif. | Q.ta' | Codice | * Denominazione |
|------|-------|--------|-----------------|
| Ref. | Q.ty | Code | Denomination |

| | | | | |
|----|---|------------|--------------------------------|---------------------|
| 50 | 1 | 105HU0010V | SERBATOIO L18 JOBAIR-CRAFTAIR | 18 LTS TANK |
| 51 | 1 | 405HS0011 | 2 KIT MTG RUOTE | WHEELS MOUNTING SET |
| 52 | 2 | 105HU0011V | SPALLA TELAIO | FRAME |
| 53 | 1 | 105HU0021V | LAMIERA SUPPORTO GRUPPO | SUPPORT PLATE |
| 54 | 4 | 199377000 | 8 ANTIVIBRANTE | VIBRATION DAMPER |
| 55 | 1 | 102GZ0016V | STAFFA SUPPORTO MANICO | HANDLE SUPPORT |
| 56 | 1 | 105HU0023 | CARENATURA SUPERIORE | UPPER PANEL |
| 57 | 1 | 102GZ0018 | CARENATURA STRUMENTI | INSTRUMENT PANEL |
| 58 | 1 | 102GZ0015 | MANICO | HANDLE |
| 59 | 1 | 020236000 | MANOPOLA | KNOB |
| 60 | 2 | 022020000 | 4 RUBINETTO SCARICO COND.3/8 | DRAIN COCK |
| 61 | 1 | 102GZ0017 | STAFFA SUPP.STRUMENTI | INSTRUMENTS BRACKET |
| 62 | 1 | 046001000 | 2 TUBO 6X4 RILSAN | RILSAN TUBE |
| 63 | 1 | 011161000 | RACCORDO M 1/4-6X4 | STRAIGHT FITTING |
| 64 | 1 | 105HU0019 | RIPARTITORE 2 VIE | 2 WAY DISTRIBUTOR |
| 65 | 2 | 330007000 | 4 MANOMETRO 50-GC1/4 | PRESSURE GAUGE |
| 66 | 2 | 011017000 | NIPPLO GC1/4X1/4 | NIPPLE |
| 67 | 1 | 011088000 | TAPPO CILINDRICO 1/8 | PLUG |
| 68 | 1 | 319216000 | 1 RIDUTTORE PRESSIONE 1/4 | PRESSURE REDUCER |
| 69 | 1 | 105HU0018 | RIPARTITORE 3 VIE | 3 WAY DISTRIBUTOR |
| 70 | 2 | 322053000 | RUBINETTO RAPIDO G1/4M | QUICK COUPLING |
| 71 | 1 | 321087000 | 1 PRESSOSTATO 4 VIE 1/4 | PRESSURE SWITCH |
| 72 | 1 | 164A04400 | CAVO 3X1,5 SCHUKO | POWER CABLE |
| 73 | 1 | 047206000 | VALVOLA SICUREZZA G1/4 T10 PED | SAFETY VALVE |
| 74 | 1 | 011161000 | RACCORDO M 1/4-6X4 | STRAIGHT FITTING |
| 75 | 1 | 011080000 | NIPPLO GC1/4X3/8 | NIPPLE |
| 76 | 1 | 111001000 | TAPPO R1/4 | PLUG |

* Ricambi consigliati in percentuale - Suggested parts in percentage

| Rif. | Q.ta' | Codice | * | Denominazione | |
|------|-------|-----------|---|----------------------------|------------------|
| Ref. | Q.ty | Code | | Denomination | |
| 77 | 1 | 011000165 | | RACCORDO M R1/2 TUBO 12 | STRAIGHT FITTING |
| 78 | 1 | 105HS0010 | 2 | TUBO MANDATA CRAFTAIR 362 | DELIVERY TUBE |
| 79 | 1 | 047113001 | 8 | ELEMENTO DI TENUTA | SEAL |
| 80 | 1 | 047113002 | | MOLLA | SPRING |
| 81 | 1 | 010041000 | | GUARNIZIONE | GASKET |
| 82 | 1 | 347074000 | 1 | VALV.RITEGNO 3/8M TUBO D12 | NON-RETURN VALVE |