



Tipo **Traino cinghia**
Type **Belt driven**

Modello **BK119-270F-5,5**
Model

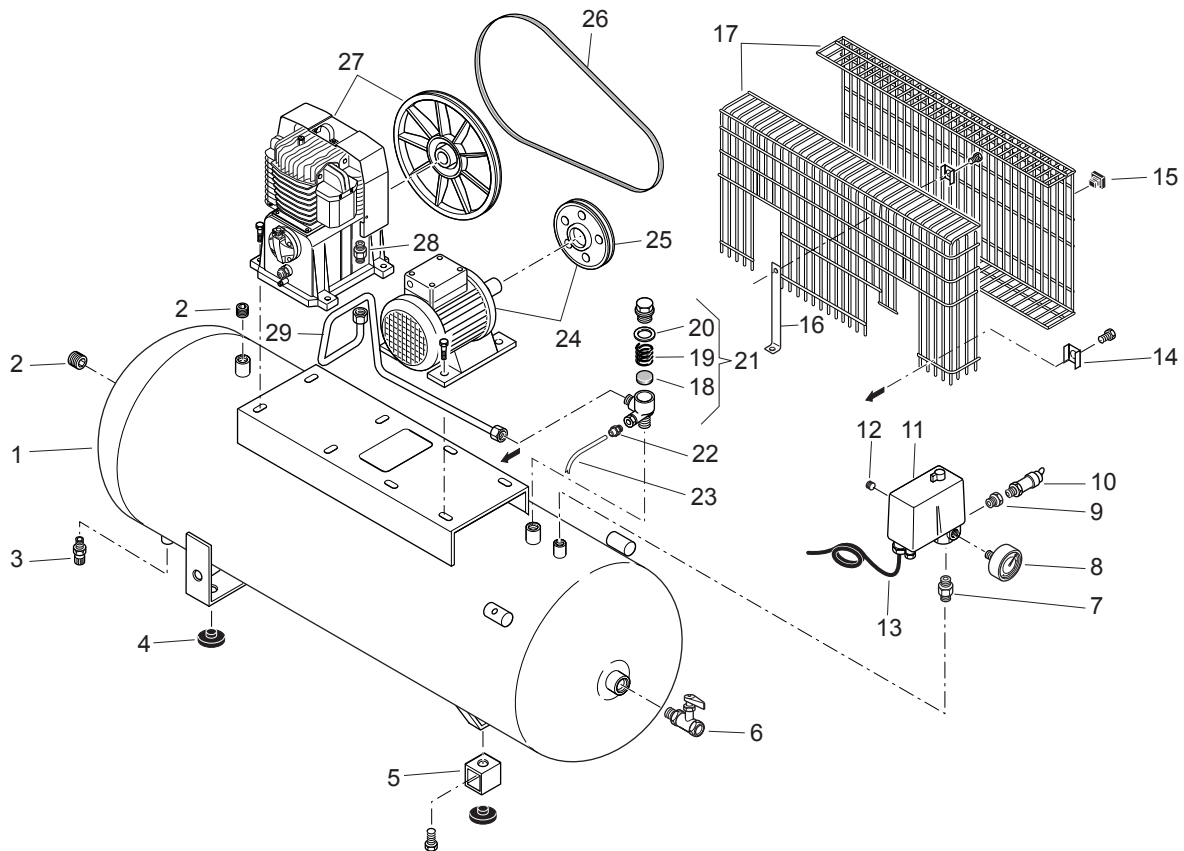
Litri **270**
Litres

V/Hz/Ph
400/50/3

Codice **891IT1A722**
Code

Data **Luglio 2003**
Date **July 2003**

Revisione **01**
Revision



Rif.	Q.ta'	Codice	* Denominazione	
Ref.	Q.ty	Code	Denomination	
1	1	180042000V	SERBATOIO L270	TANK 270 LT.
2	2	011008000	TAPPO GC1/2	PLUG
3	1	022020000	2 RUBIN.SCARICO COND.G3/8	DRAIN COCK
4	3	199373000	6 ANTIVIBRANTE	VIBRATION DAMPER
5	1	199519000	SUPPORTO SERBATOIO	TANK SUPPORT
6	1	322050000	RUBIN.LINEA A SFERA G1/2 MF	LINE COCK
7	1	199110850	NIPPLO SPECIALE G3/8X3/8	SPECIAL NIPPLE
8	1	330007000	4 MANOMETRO 50-GC1/4	PRESSURE GAUGE
9	1	011069000	GIUNZIONE MF1/4X3/8	FITTING
10	1	047210000	VALV.SICUREZZA 3/8 T11 PED	RELIEF VALVE
11	1	305144000	TP.MDR3EA11 R3-10 F4 3/8 EV3WS PG11	PRESSURE SWITCH WITH OVL. CUTOUT
12	1	111001000	TAPPO R1/4	PLUG
13	1	172001030	CAVO ALIM.4X1,5	POWER CABLE
14	4	014005016	RONDELLA QUADRATA	SQUARE WASHER
15	6	020025000	TASSELLI	BELT GUARD BLOCK
16	1	113164016	STAFFA SUPP.PARACINGHIA	BELT GUARD BRACKET
17	1	176BM0011	PARACINGHIA 2PZ	BELT GUARD
18	1	047102001	8 ELEMENTO DI TENUTA	SEAL
19	1	047102002	MOLLA CONICA	SPRING
20	1	047102003	GUARNIZIONE	GASKET
21	1	347030000	1 VALV.RITEGNO GC3/4X1/2 MM	NON RETURN VALVE
22	1	011211000	RACCORDO DIRITTO M R1/8 6X4	STRAIGHT FITTING
23	1	046001000	2 TUBO 6X4 RILSAN	RILSAN TUBE
24	1	540G003618	MOT.EL.VEM100 F2 B3 CV5,5 22050-130SPZ	ELECTRIC MOTOR+PULLEY
25	1	140179004	PULEGGIA 130-SPZ-28 5 FORI D20	PULLEY
26	1	045105000	6 CINGHIA TRAPEZOIDALE SPZ 1587	V BELT
27	1	5131790000	COMPRESSORE BK119	BK119 PUMP

* Ricambi consigliati in percentuale - Suggested parts in percentage

Rif.	Q.ta'	Codice	*	Denominazione	
Ref.	Q.ty	Code		Denomination	
28	1	199570000		NIPPLO TUBO MANDATA 3/4X1/2	NIPPLE
29	1	190IQ0001	2	TUBO MANDATA	DELIVERY TUBE